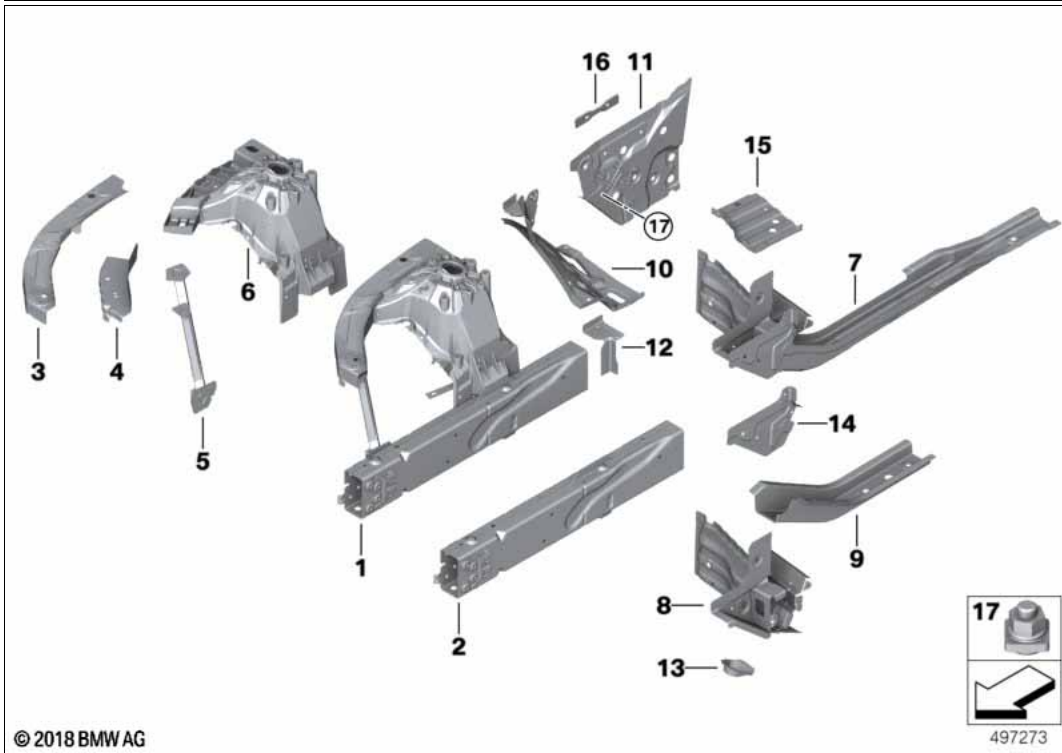


Picture panel

41\_3650 Wheelhouse/engine support

 Retrofits ignored



© 2018 BMW AG

Part designation	Qty	Part number	Information
01 Front left wheelhouse	1 1	41 00 7486607	
The following information is required when ordering: - Vehicle identification n...			
01 Wheelhousing with VIN, front right	1 1	41 00 2468713	
01 Wheelhousing without VIN, front right	1 1	41 00 7486608	
02 Left centre engine support	1 1	41 00 7432651	
02 Right centre engine support	1 1	41 00 7432652	
The following information is required when ordering: - Vehicle identification n...			
03 Support bracket w. VIN, wheelhouse fr RI	1 1	41 00 2468721	
03 Support bracket w/o VIN wheelhousing f r	1 1	41 00 8495746	
03 Wheel housing strut, front left	1 1	41 00 8495745	
04 Carrier support wheelwell, lower left	1 1	41 00 7488041	

Part designation	Qty		Part number	Information
04 Carrier support wheelwell, lower right	1	1	41 00 7488042	
05 Support, carrier support, left	1	1	41 00 7488033	
05 Support, carrier support, right	1	1	41 00 7488034	
Only in conjunction with:				
-- Support bracket w. VIN, wheelhouse fr RI	1	1	41 00 2468721	
-- Support bracket w/o VIN wheelhousing f r	1	1	41 00 8495746	
06 Spring strut assembly, front left	1	1	41 00 7329933	
06 Spring strut assembly, front right	1	1	41 00 7329934	
07 Rear left engine support	1	1	41 00 7486627	
07 Rear right engine support	1	1	41 00 7486628	
08 Joint, side frame, left	1	1	41 00 7486613	
08 Joint, side frame, right	1	1	41 00 7486614	
09 Crash reinforcement, left	1	1	41 00 7488017	
09 Crash reinforcement, right	1	1	41 00 7488018	
10 Wheel-house inner panel, rear left	1	1	41 00 7486639	
10 Wheel-house inner panel, rear right	1	1	41 00 7486640	
11 A-column, inner front left	1	1	41 00 8495753	
11 A-column, inner front right	1	1	41 00 8495754	
12 Reinforcement, engine support, left	1	1	41 00 7481041	
12 Reinforcement, engine support, right	1	1	41 00 7481042	
13 Bracket, front subframe, left	1	1	41 00 8495771	
13 Bracket, front subframe, right	1	1	41 00 8495772	
14 Connection engine mount inside left	1	1	41 11 8498935	
14 Connection engine mount inside right	1	1	41 11 8498936	
15 Reinforcement, side frame, left	1	1	41 00 7488029	
15 Reinforcement, side frame, right	1	1	41 00 7488030	
16 Threaded plate hood hinge	2	2	41 00 7488045	
17 Earth pin (M6x12)	0	0	41 24 8185432	
17 Ground pin 48V (M8X13)	0	0	41 00 9880323	