

[BMW G20 M340i xDrive Sedan](#) / [Repair Manuals and Technical Data](#) / [51 Body equipment](#) / [51 44 Headlining](#) /

## 51 44 001 Removing and installing/replacing the headlining (equipment specification without slide/tilt sunroof)



**Fold the headlining.**

**If the headlining is folded, it may have to be replaced.**

- Carry out tasks with a second person to assist.
- Support the headlining at the front and back.



The following procedure forms the basis for these repair instructions and must be observed without fail.

For more information see: 51 31 ... General procedure for disassembly/installation of bonded window glass



Perform window removal using the "spider".

For additional information see: 51 31 ... Window glass removal using "spider"

### PRELIMINARY WORK

---

#### 1 – Removing the trim panel for the rear left and right water channel



Description is for left component only. Procedure on the right side is identical.

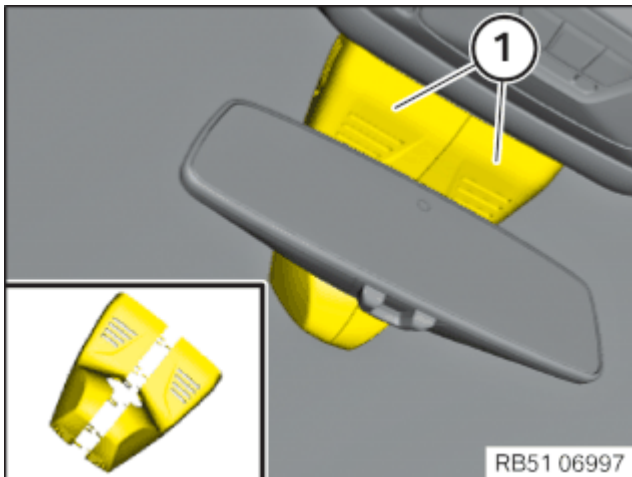


- Unclip the trim panel for the water channel (1) with the special tool **0 496 569 (00 9 325)**.

## 2 – Removing the covers for the interior mirror

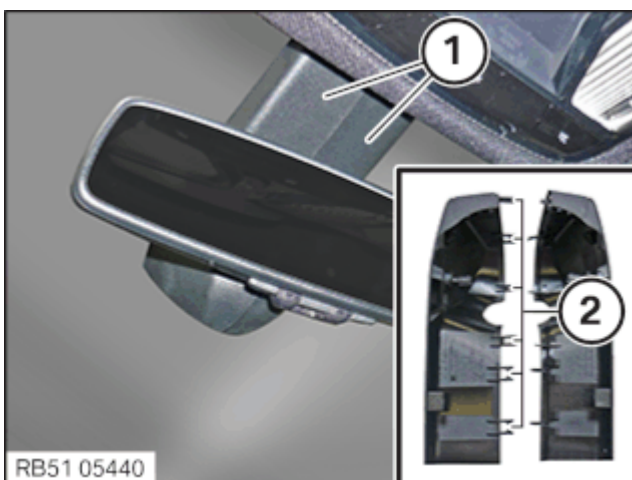
- **Version A:**

- Release the cover (1) at the centre from the latch mechanisms (2) with a suitable plastic wedge and remove.

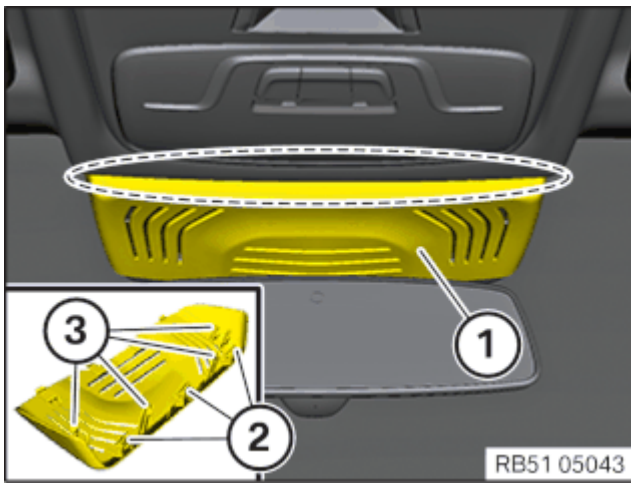


- **Version B:**

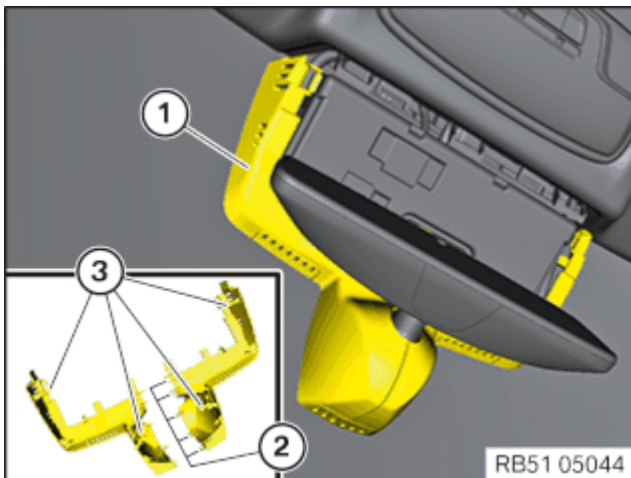
- Release the cover (1) from the latch mechanisms (2) with a suitable plastic wedge and remove sideways.



- **Version C:**



- Detach cover (1) from the clamps (2) in the marked area using a suitable plastic wedge and pull down a certain distance.
- Release cover (1) at the retaining lugs (3) and remove from the guides to the rear.



- Release cover (1) from the latch mechanisms (2) and (3) and remove sideways.
- Remove cover (1) from mirror base (2).

### 3 – Remove both A-pillar trim panels



Description is for left component only. Procedure on the right side is identical.

#### ► Remove the A-pillar trim panel



#### Airbag unit.

#### **Danger! Life-threatening injuries!**

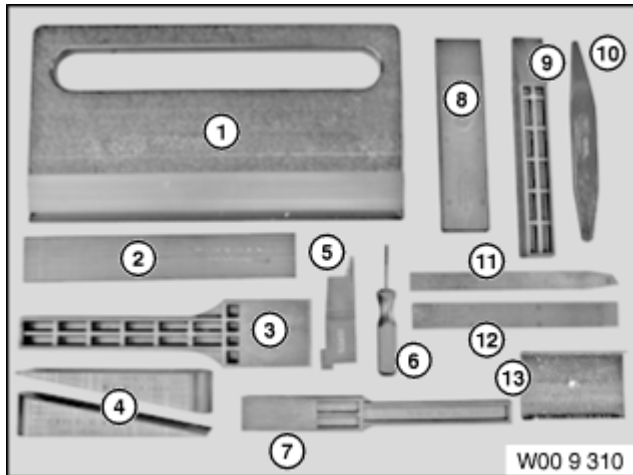
- Before performing any work on the airbag, always disconnect the battery earth lead from the battery.
- Airbag unit may only be set down with the cushion (airbag itself) facing upwards.
- For additional information see: 72 00 ... Safety regulations on handling airbag system components/gas generators



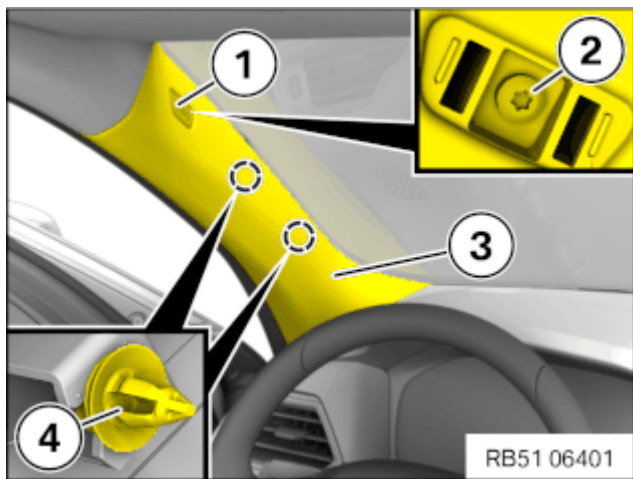
## Pyrotechnic components.

### Danger! Life-threatening injuries!

- All work on pyrotechnic parts may be carried out by technically experienced and appropriately trained personnel only.
- Replace any damaged part or ones that have been dropped.
- For additional information see: 72 00 Safety regulations on handling components with gas generators.



- Have the set of special tools **0 493 752 (00 9 329)** ready.



- Unclip the cover (1) with suitable tools.
- Loosen screw (2).
- Unclip A-pillar trim panel (3) with clips (4) and guide it out upwards.

## 4 – Remove both sun visors



Description is for left component only. Procedure on the right side is identical.

### ► Remove sun visor



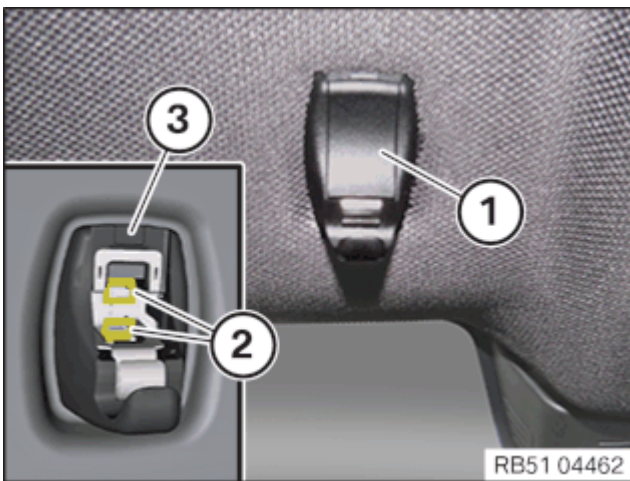
- Pull out the cover (1).
- Detach the sun visor (2) from the counter support .
- Disengage the sun visor (2) in front to the bottom and thread it out of the headlining at the rear.
- Unlock associated plug connection and disconnect.

## 5 – Remove both counter supports for the sun visors



Description is for left component only. Procedure on the right side is identical.

### ► Remove the counter support for the sun visor



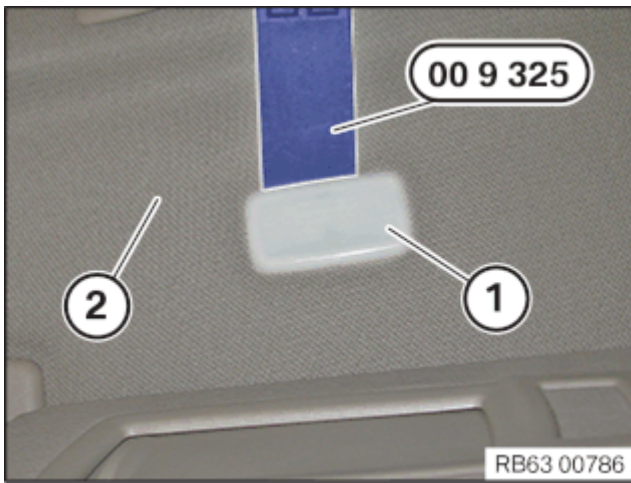
- Pull out the cover (1).
- Push the clamps (2) together and pull the counter support (3) out of the headlining.

## 6 – Removing front vanity mirror light

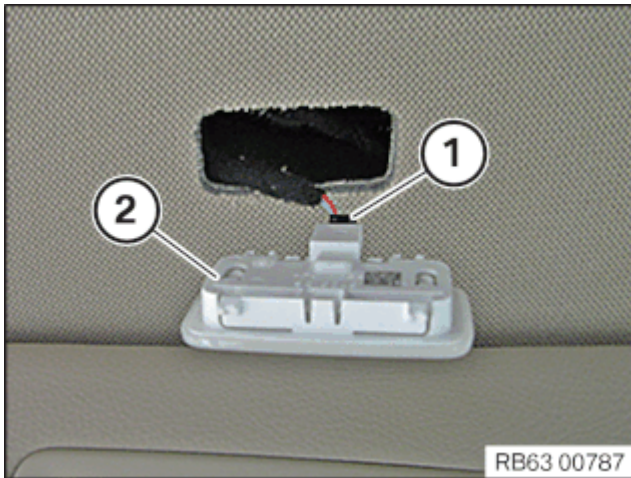


Description is for left component only. Procedure on the right side is identical.





- Lever out the front vanity mirror light (1) using special tool **0 496 569 (00 9 325)** from the headlining (2).



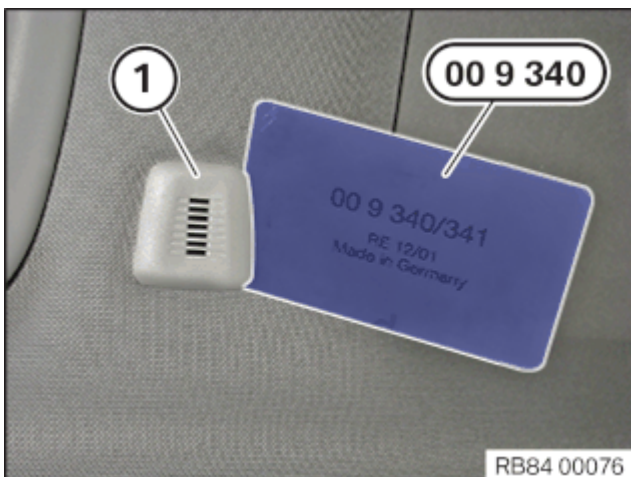
- Unlock and disconnect connector (1).
- Remove the front vanity mirror light (2).

## 7 – Remove both microphones

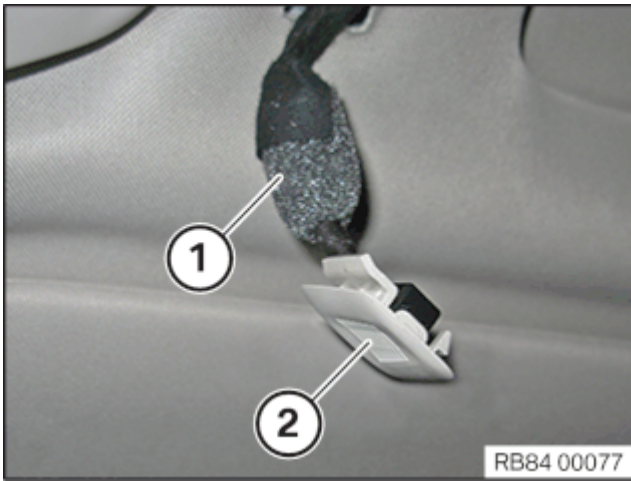


Description is for left component only. Procedure on the right side is identical.

### ► Removing hands-free microphone



- Lever out the hands-free microphone (1) with the special tool **0 493 687 (00 9 340)**.



- Open insulation (1).
- Disconnect plug connection.
- Remove hands-free microphone (2).

## 8 – Removing the roof function centre (FZD)



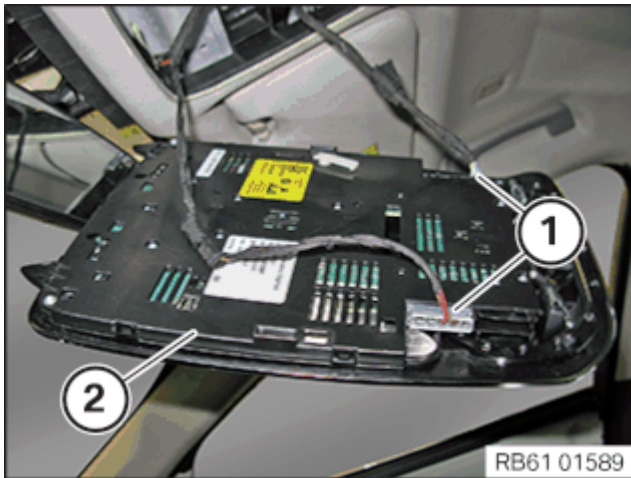
- Unclip the cover (1).



- Loosen screws (1).



- Unclip the roof function centre (FZD) (1) from the clamps (2).
- Thread the roof function centre (FZD) (1) out of the guides (3).



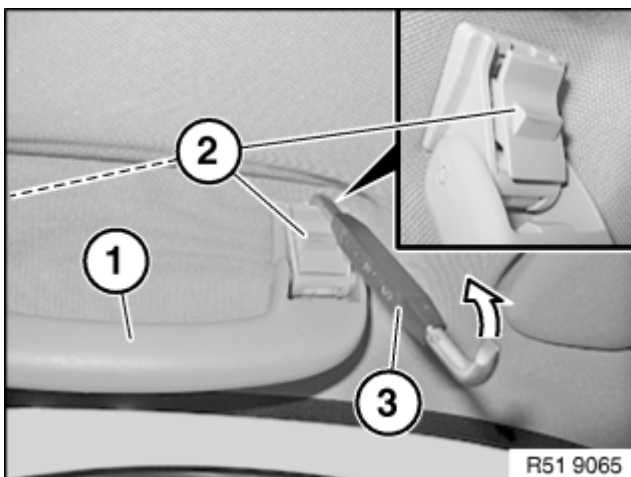
- Unlock and disconnect plug connections (1).
- Unclip the cable for the roof function centre (FZD) (2) from the cable clip.

## 9 – Removing all grab handles



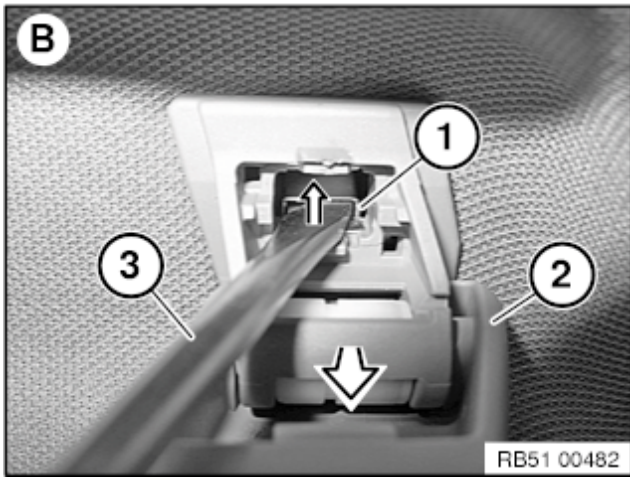
The description is for one component only. The procedure is identical for all further components.

### ► Removing the grab handle



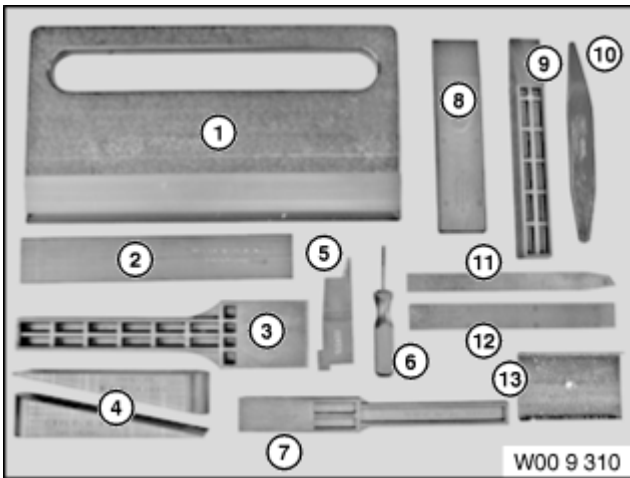
- Expand the grab handle (1) towards the bottom.
- Disengage and remove the locking insert (2) with an angle screwdriver (3) as shown.



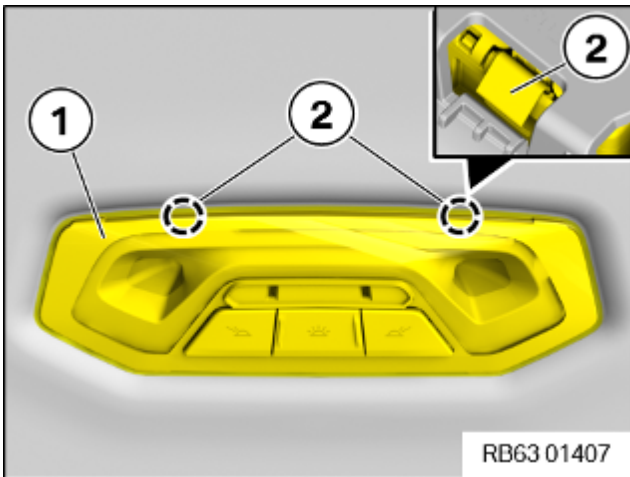


- Pull the grab handle (2) slightly to the inside and hold it.
- Use a suitable screwdriver (3) to detach the upper and lower release tabs (1).
- Guide the grab handle (2) out.
- Repeat the operation on the other side of the grab handle (2).

## 10 – Remove interior roof light



- Have the set of special tools **0 493 752 (00 9 329)** ready.



- Lever interior roof light (1) out of clamps (2) using a suitable tool.
- Unlock plug connection and disconnect.

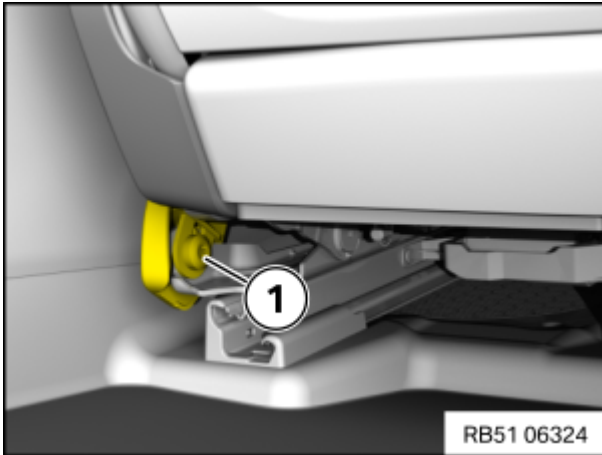
## 11 – Removing both B-pillar trim panels



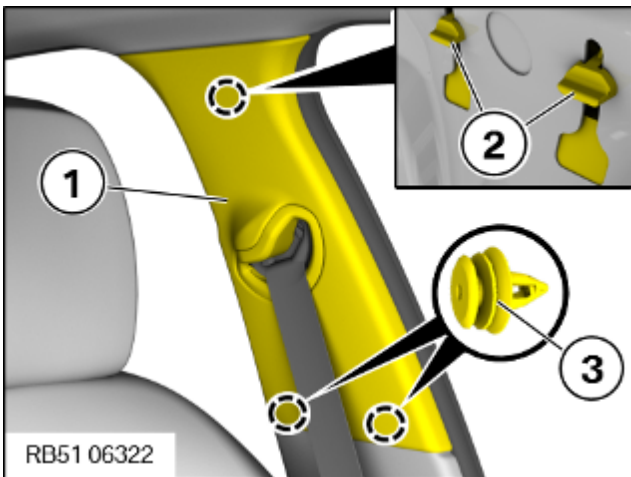
Description is for left component only. Procedure on the right side is identical.

### ► Remove the B-pillar trim panel

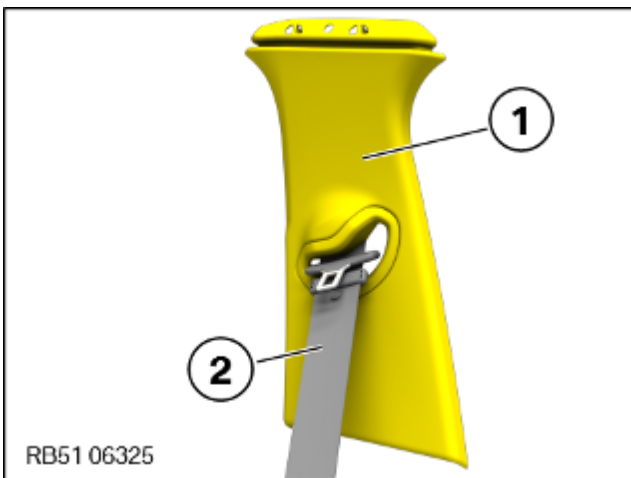
- Fully position the front seat to the front and top.
- Loosen screw (1).
- Remove end fitting (2).



- Unclip clips (3).
- Feed B-pillar trim panel (1) out of the front and rear lip of edge protections and the guides (2).



- Feed upper seat belt (2) out of B-pillar trim panel (1).



### 12 – Remove both C-pillar trim panels

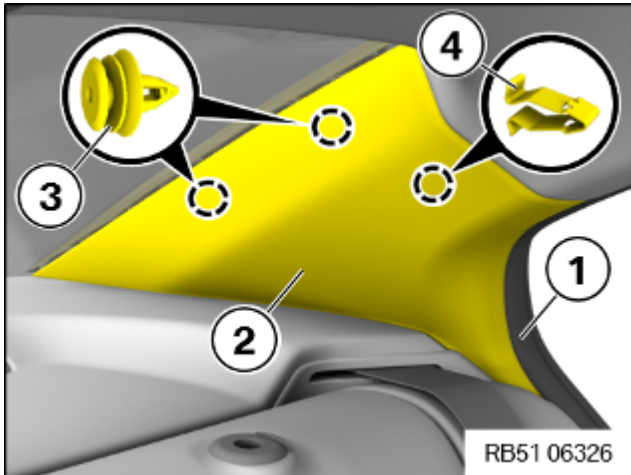


Description is for left component only. Procedure on the right side is identical.

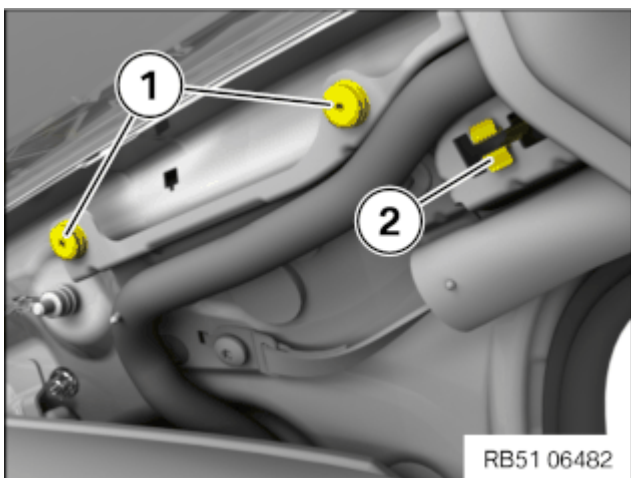
## ► Remove C-pillar trim panel



Schematic diagram is for example purposes. Some parts may differ in certain details.

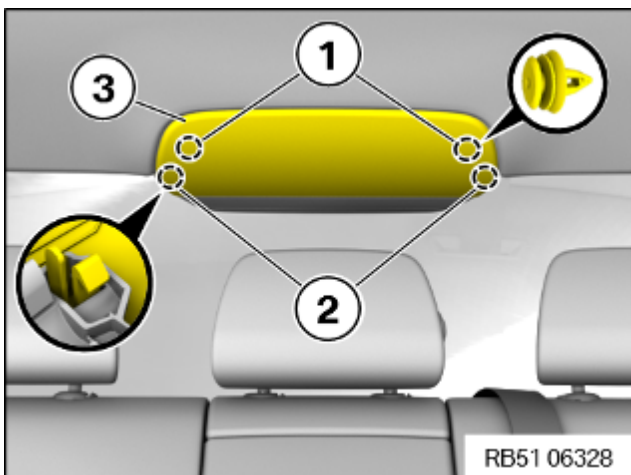


- Unclip clamp (4).
- Unclip clips (3).
- Feed out C-pillar trim panel (2) from the guides to the front.
- Thread out C-pillar trim panel (2) from the lip of edge protection (1).



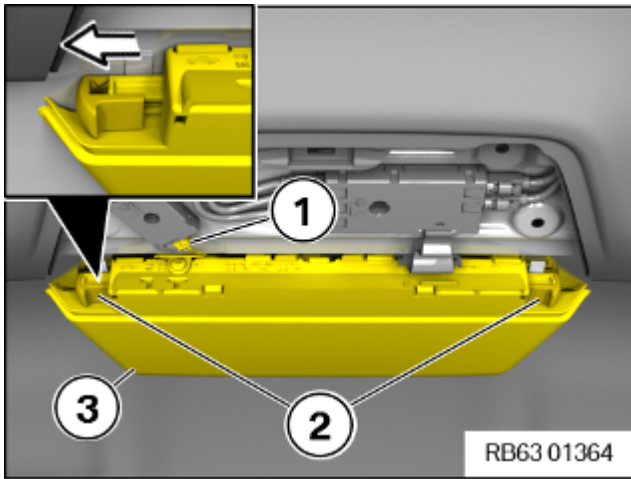
- If required, remove the clips (1) and the clamp (2) and connect it to the trim panel.

## 13 – Removing the trim of the additional brake light



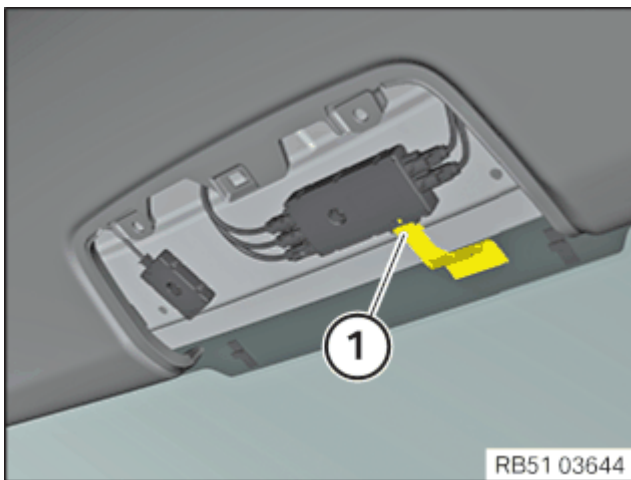
- Loosen the clips (1).
- Release the latch mechanisms (2) and remove the trim of the additional brake light (3).

## 14 – Remove additional brake light

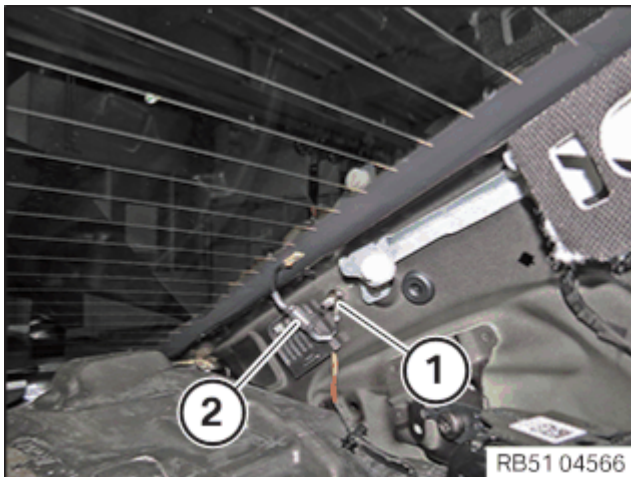


- Disconnect plug connection (1).
- Unlock both slides (2) outwards in the direction of the arrow and remove additional brake light (3).

## 15 – Remove rear window

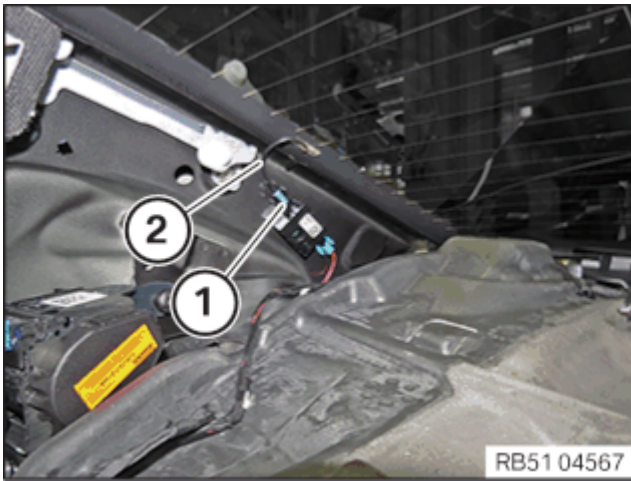


- Unlock plug connection (1) and disconnect.
- Secure cable to rear window with adhesive tape.

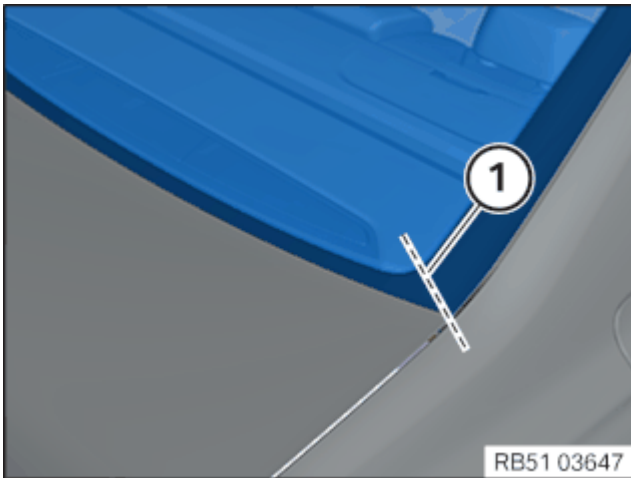


- Loosen nut (1).
- Secure cable (2) to the rear window.





- Unlock plug connection (1) and disconnect.
- Secure cable (2) to rear window with adhesive tape.



- Tape off body in area of piercing point with fabric adhesive tape.
- Push the thread (1) through the adhesive bead along the line from the inside.
- Cut out the rear window with spider **2 357 248**.
- Remove the rear window with the help of the special tool **2 184 377**.
- Remove adhesive bead from the body using special tool **0 410 807** and clean the adhesive area.

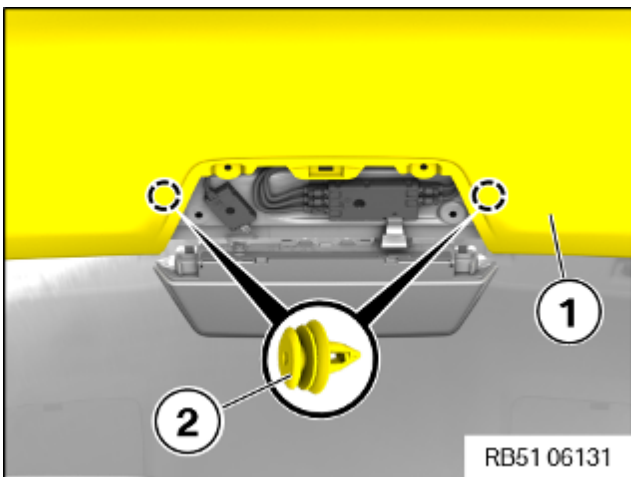
## MAIN WORK

### 16 – Remove headlining

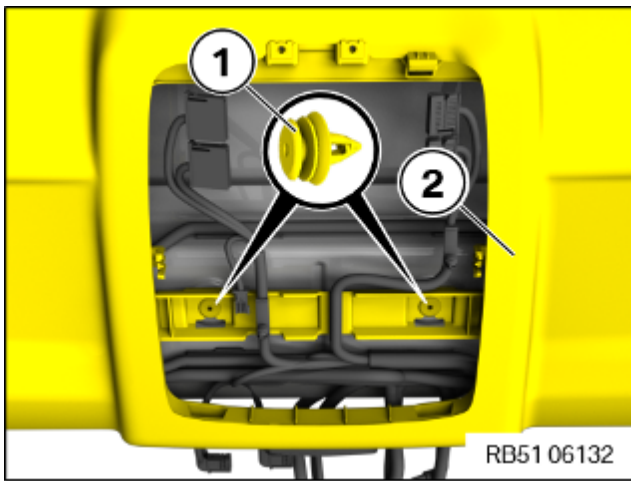
#### Prerequisite

The front seats have been fully adjusted towards the bottom.

The front seat backrests have been fully adjusted towards the rear.



- Unclip the headlining (1) from the clips (2) downward.



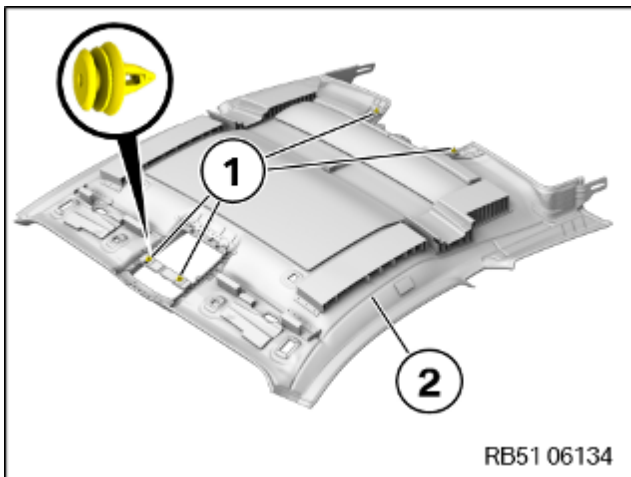
- Release the clips (1) at the headlining (2).
- Remove the headlining (1) with the help of an auxiliary person through the aperture on the rear window.

## 17 – Fit the roof lining

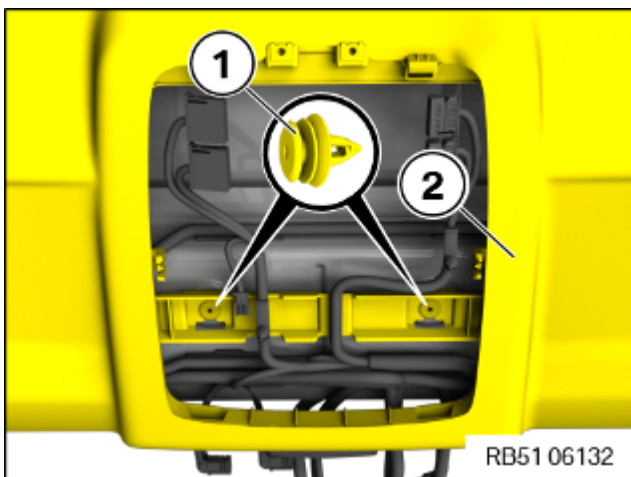
### Prerequisite

The front seats have been fully adjusted towards the bottom.

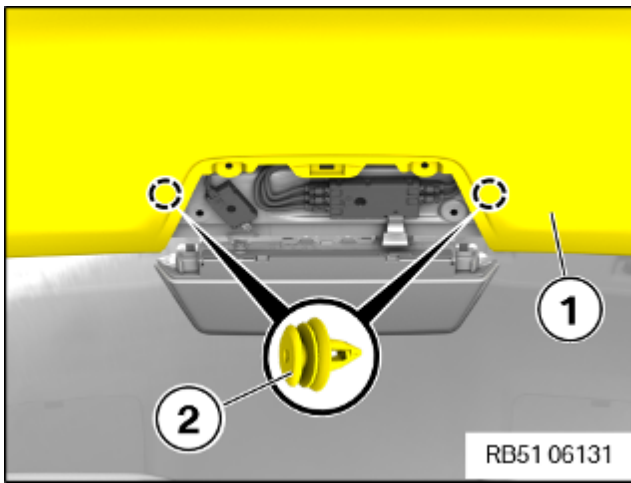
The front seat backrests have been fully adjusted towards the rear.



- Check the clips (1) on the headlining (2) for damage and renew if necessary.



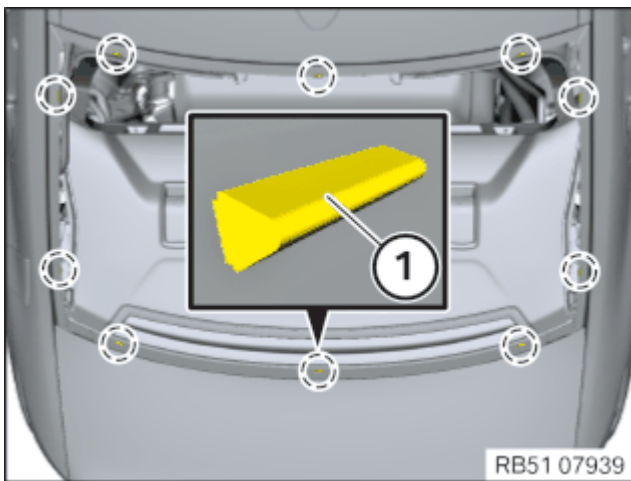
- Install the headlining (1) with the help of an auxiliary person through the opening of the rear window and position it correctly.
- Position the headlining (2) on the clips (1) and clip it in.



- Clip in clips (2) on the headlining (1).

## POSTPROCESSES

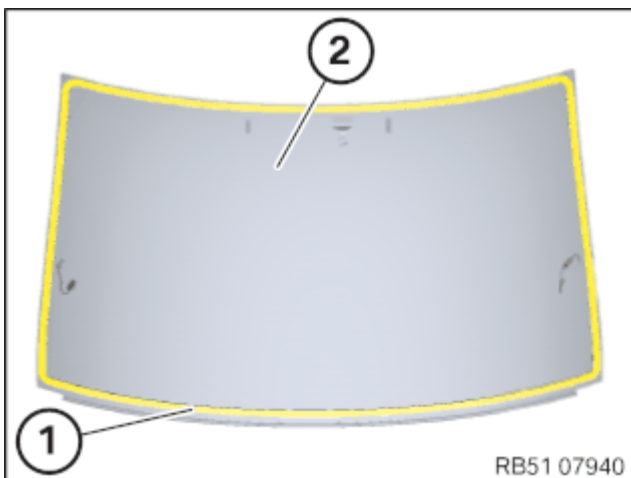
### 18 – Replace the spacer



- Completely remove the available spacer buffers (1).
- Remove the adhesive residue on the body and clean the adhesive area.
- Stick the new spacer buffers (1) in the centre on the engraved markings on the body side.

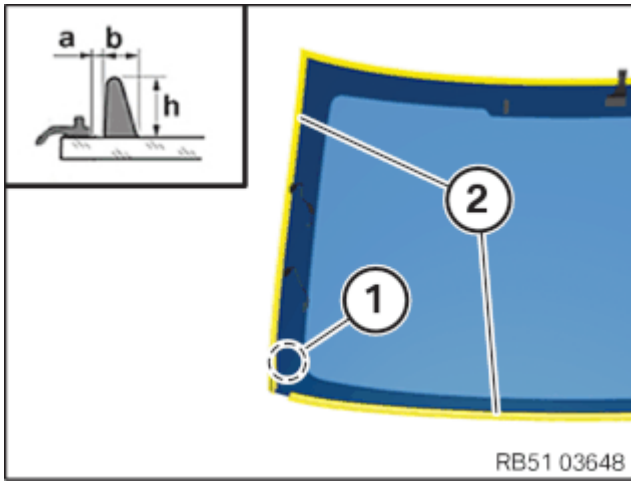
**Parts:** Spacer buffer

### 19 – In case of reusing the rear window



- Remove the adhesive bead (1) on the rear window (2) with the special tool **0 410 807**.

### 20 – Install the rear window



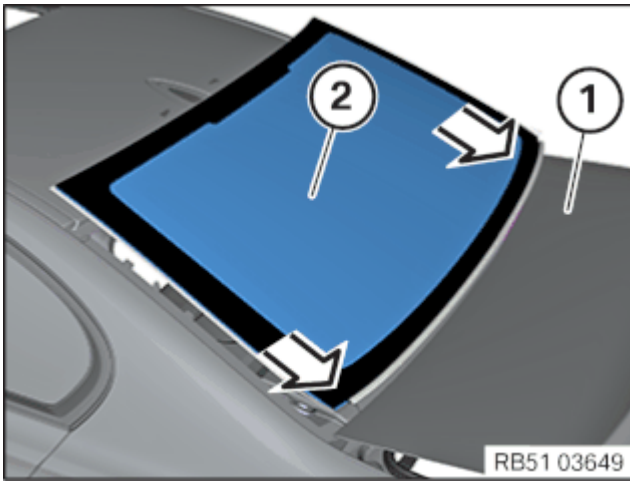
- Clean the bonding surfaces on the body and on the rear window.
- Provide two glue cartridges.
- Prepare a glue cartridge with the standard jet nozzle C.
- Apply bead joint in area (1).
- Apply adhesive bead within the mark on the rear window

#### Adhesive bead

---

b = Width	7 mm ... 9 mm
h = Height	11 mm ... 13 mm



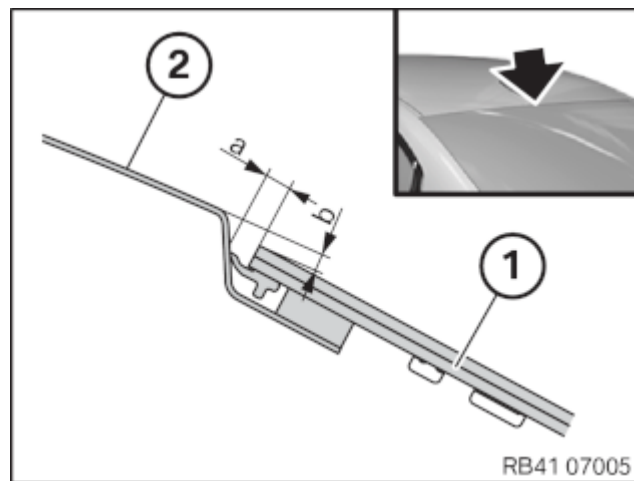


- Open tailgate (1) approx. 1/3 and secure in this position.
- Carefully perform the following actions on rear window (2) with suction lifters
  - Bring it parallel to C-pillar
  - Feed it in under tailgate
  - Position at top
  - Align sides evenly
  - Press upwards until sealing rests evenly on roof
  - Press it evenly and adjust the gap dimension

### Gap dimension rear window to roof outer skin

*1 rear window; 2 roof outer skin*

a	3,2 ( 1,9 - 4,5) mm
b	2,8 ( 1,5 - 4,1) mm

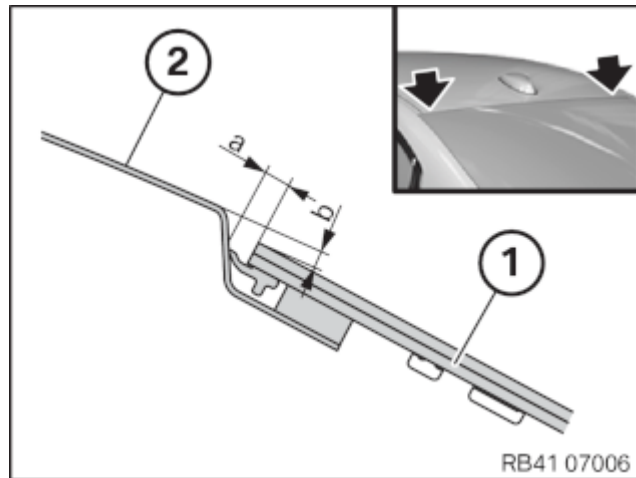


## Gap dimension rear window to roof outer skin

1 rear window; 2 roof outer skin

a 3,2 ( 1,9 - 4,5) mm

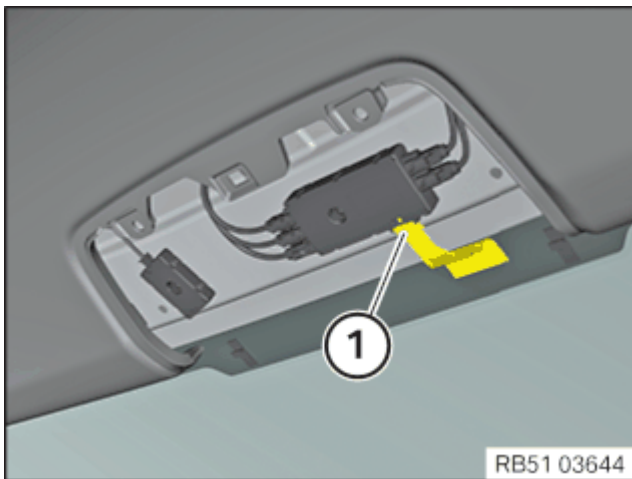
b 2,6 ( 1,3 - 3,9) mm

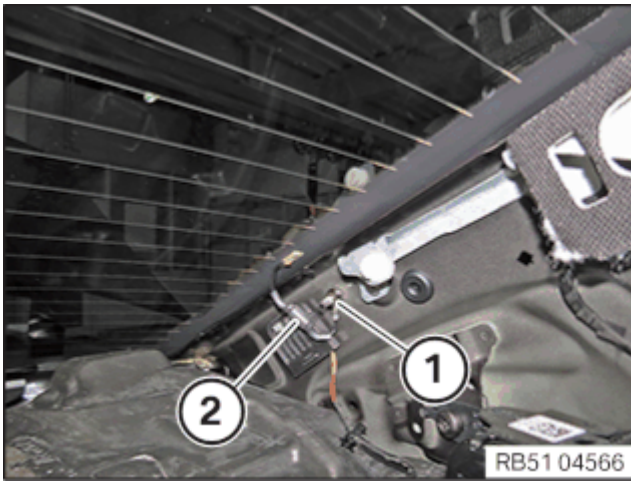


- Measure short length (A) of the rear window (1) to the roof outer skin (2) with the special tool **0 495 259 (51 0 010)**.

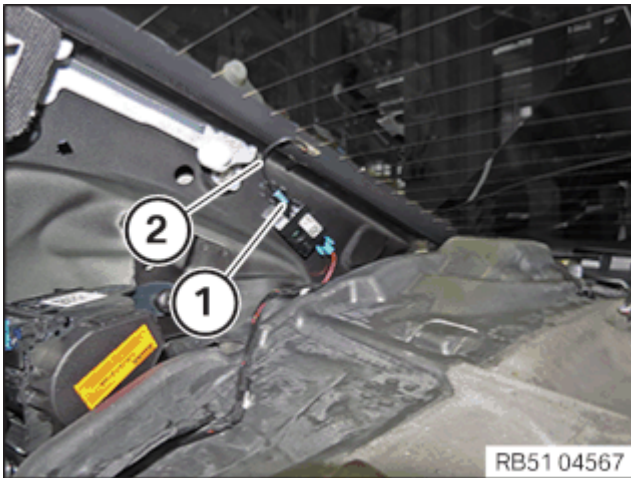
Measure gap dimension (B) with special tool **0 496 076 (00 9 470)**.

- Secure rear window (1) with adhesive tap on the roof.
- Connect connector (1).



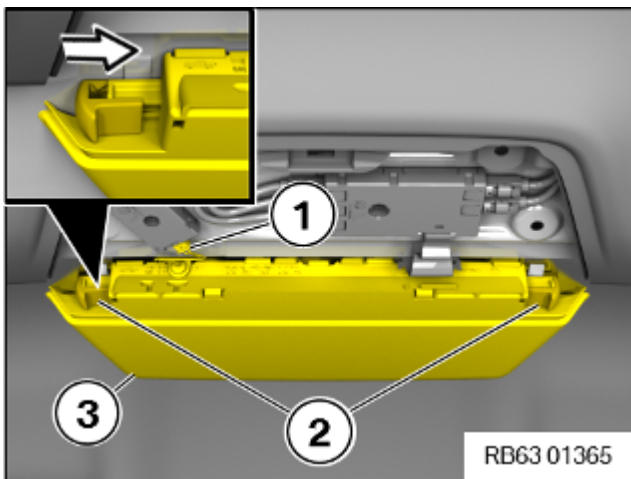


- Secure cable (2) with nuts (1) at the attachment point.



- Loosen cable (2) from the rear window.
- Connect connector (1).

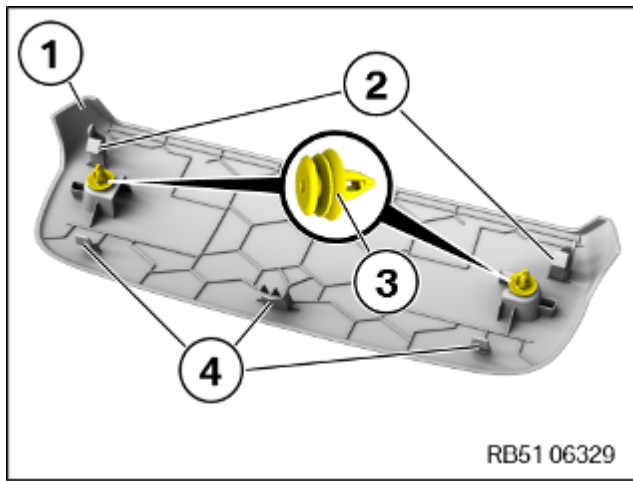
## 21 – Install the auxiliary stop lamp



- Position the additional brake light (3).
- Lock both slides (2) inwards in the direction of the arrow.
- Connect connector (1).

## 22 – Installing trim for additional brake light

**Check**



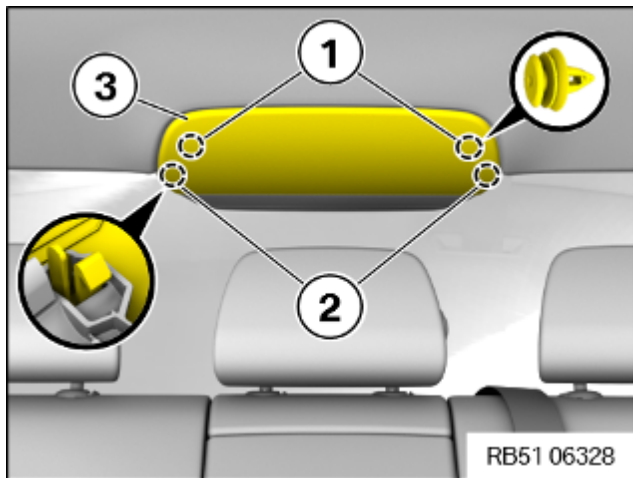
- Check the clips (3) for damage and renew if necessary.
- Check latch mechanisms (2) and guides (4) for damage.

### Result

» The latch mechanism or the guide is damaged.

### Measure

- Renew the trim for the additional brake light.
- Position trim for additional brake light (1) from the bottom and clip it in with latch mechanisms (2).
- Clip in clips (1).



## 23 – Install both C-pillar trim panels

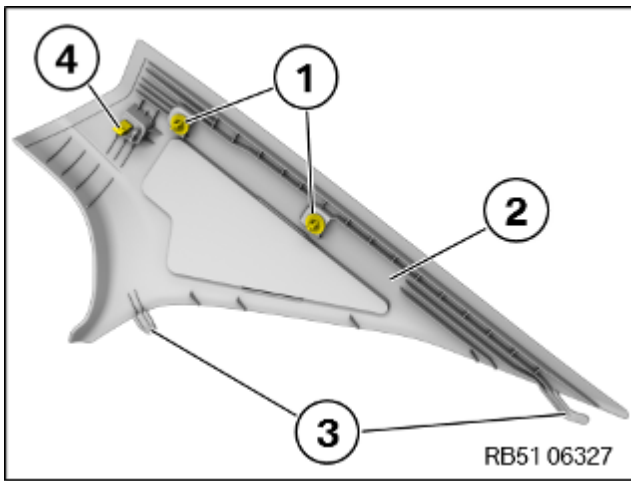


Description is for left component only. Procedure on the right side is identical.

### ► Installing C-pillar trim panel

#### Check





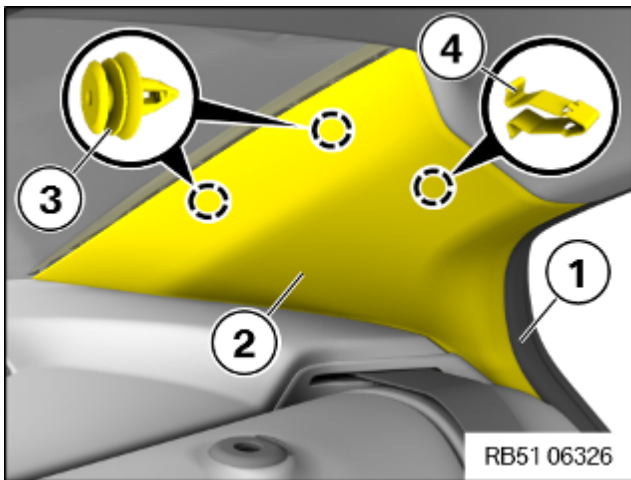
- Check clips (1) and clamp (4) for damage, renew if necessary.
- Check the guides (3) for damage.

### Result

» Guide is damaged.

### Measure

- Renew the C-pillar trim panel .



Schematic diagram is for example purposes.  
Some parts may differ in certain details.

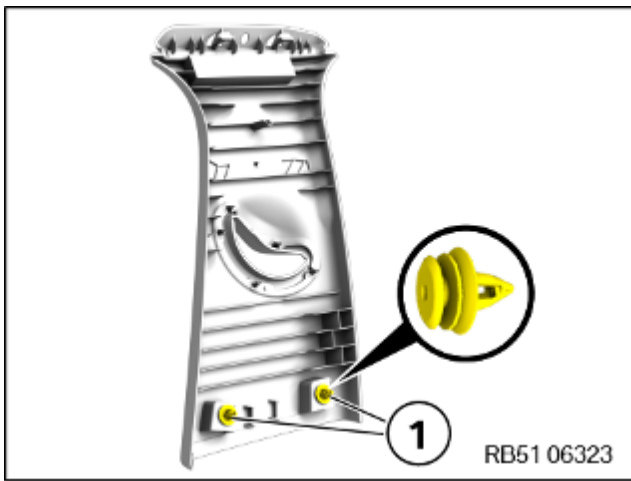
- Feed C-pillar trim panel (2) into guides towards the rear.
- Clip in clips (3).
- Clip in clamp (4).
- Guide in C-pillar trim panel (2) under the lip of edge protection (1).

## 24 – Installing both B-pillar trim panels

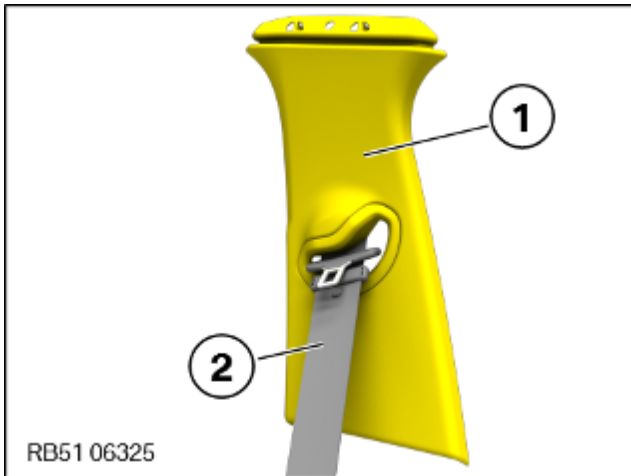


Description is for left component only. Procedure on the right side is identical.

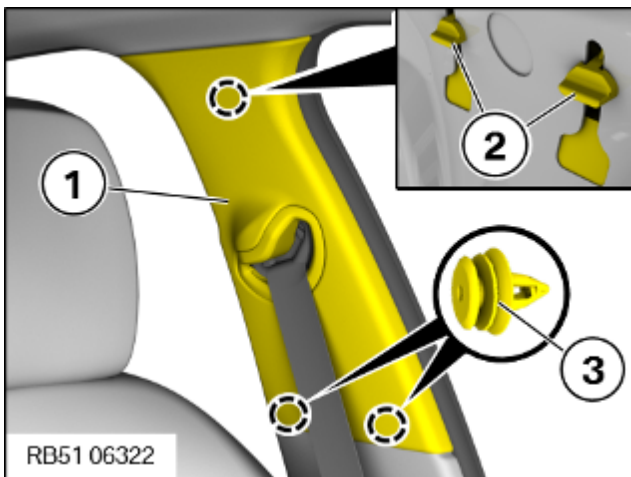
### ► Install the B-pillar trim panel



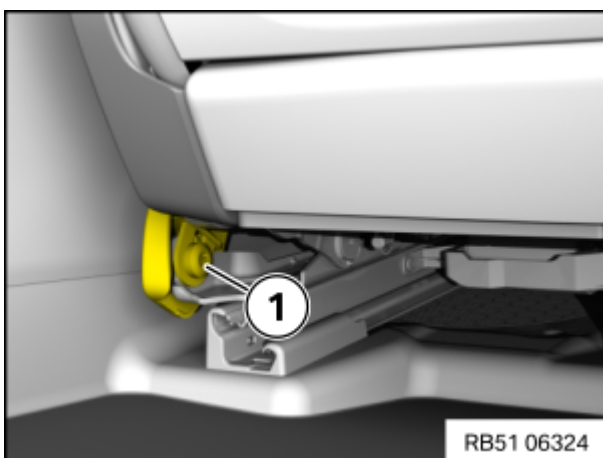
- Check the clips (1) for damage and renew if necessary.



- Guide upper seat belt (2) in B-pillar trim panel (1).



- Insert B-pillar trim panel (1) into guides (2) and under the front and rear lips of edge protection.
- Clip in the B-pillar trim panel (1) with the clips (3).



- Fully position the front seat to the front and top.
- Insert the end fitting (2).
- Renew the screw (1).

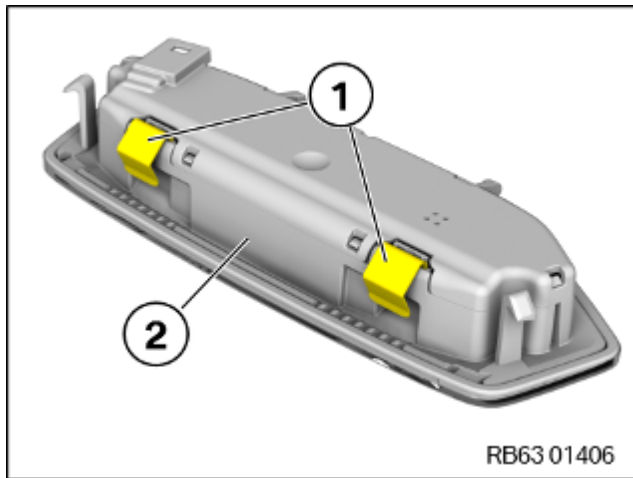
#### Parts: Screw

- Tighten down screw (1).

#### End fitting to seat mechanism

Flat-head screw M10	Renew screw.	Tightening torque	42 Nm
---------------------	--------------	-------------------	-------

## 25 – Install interior roof light



### Check

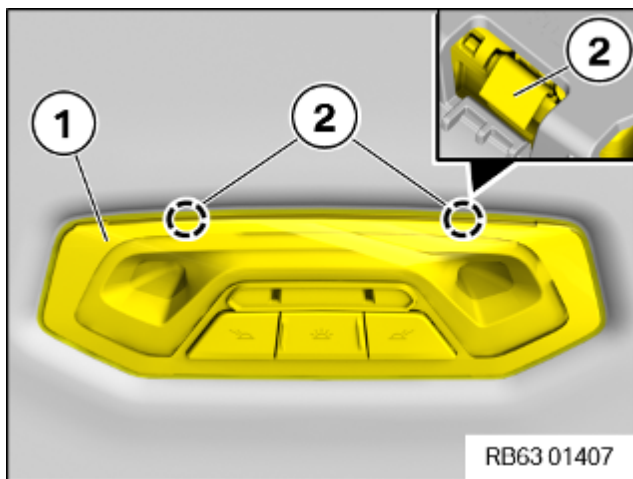
- Check the clamps (1) for damage.

### Result

» Clamps (1) are damaged.

### Measure

- Renew the interior roof light (2).
- Connect connectors and lock.
- Clip in the interior roof light (1) with clamps (2).

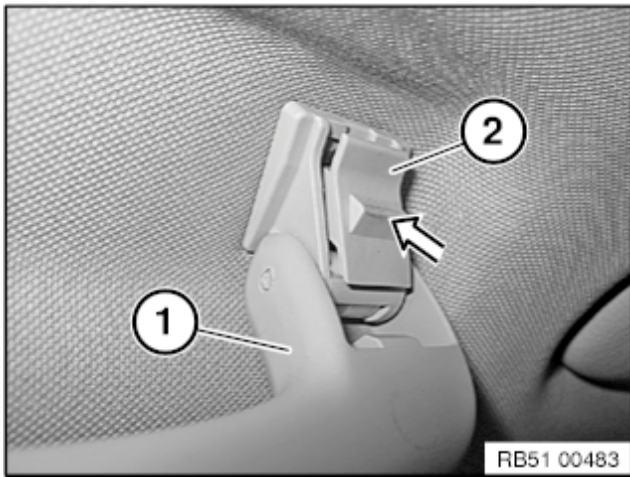


## 26 – Installing all grab handles



The description is for one component only. The procedure is identical for all further components.

### ► Installing the grab handle



- Insert the grab handle (1) into body.
- Correctly clamp in the grab handle (1), as otherwise the locking inserts (2) on the grab handle (1) cannot correctly engage.
- Engage the locking inserts (2) on both sides of the grab handle (1).

## 27 – Install both A-pillar trim panels



Description is for left component only. Procedure on the right side is identical.

### ► Installing the A-pillar trim panel



#### **Airbag unit.**

#### **Danger! Life-threatening injuries!**

- Before performing any work on the airbag, always disconnect the battery earth lead from the battery.
- Airbag unit may only be set down with the cushion (airbag itself) facing upwards.
- For additional information see: 72 00 ... Safety regulations on handling airbag system components/gas generators



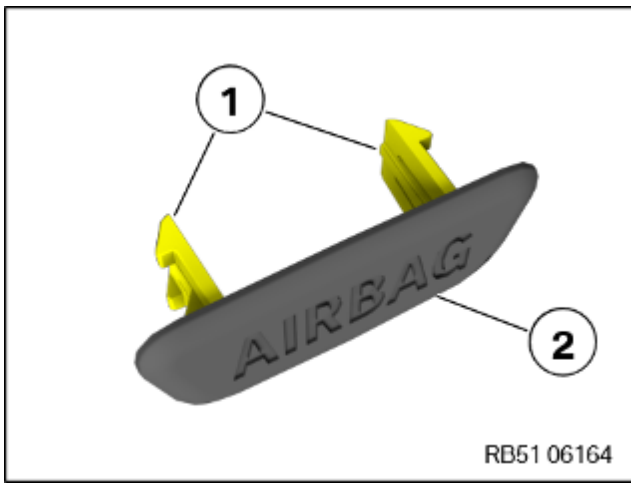
#### **Pyrotechnic components.**

#### **Danger! Life-threatening injuries!**

- All work on pyrotechnic parts may be carried out by technically experienced and appropriately trained personnel only.
- Replace any damaged part or ones that have been dropped.
- For additional information see: 72 00 Safety regulations on handling components with gas generators.

### **Check**





- Check retaining lugs (1) of cover (2) for damage.

### Result

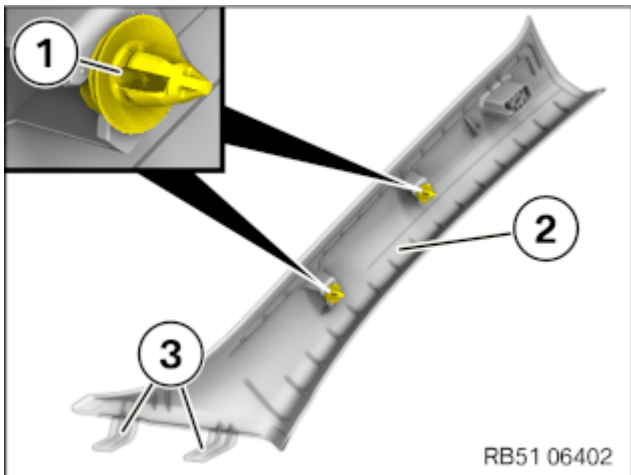
- » Retaining lug is damaged.

### Measure

- Renew the cover.

### Check

- Check the clips (1) for damage and renew if necessary.
- Check the guides (3) for damage.

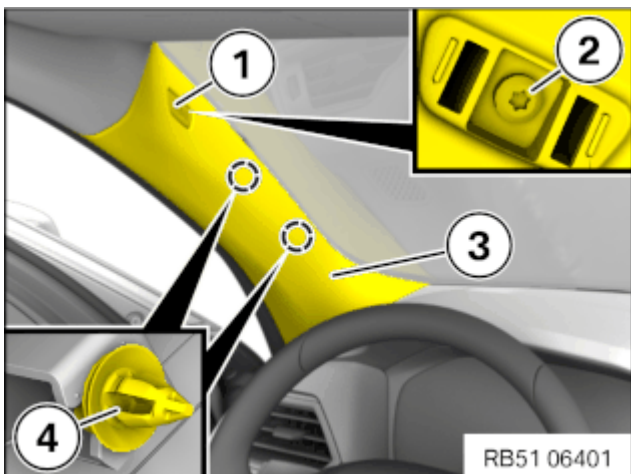


### Result

- » Guide is damaged.

### Measure

- Renew the A-pillar trim panel.



- Guide in A-pillar trim panel (3) downwards and clip it in with clips (4).
- Tighten down screw (2).

### A-pillar trim panel to body

Sheet metal screw  
4,8x38

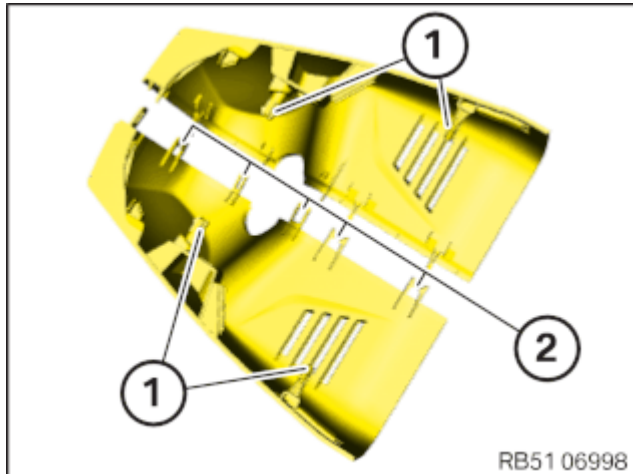
Tightening torque 2,6 Nm

- Clip in the cover (1).

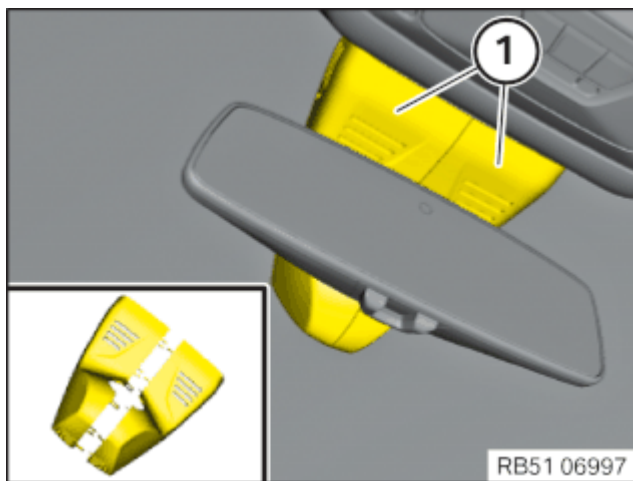
## 28 – Installing the covers for the interior mirror

- **Version A:**

- Check latch mechanisms (1) and (2).
- If the latch mechanisms (1) or (2) are faulty, renew the covers.

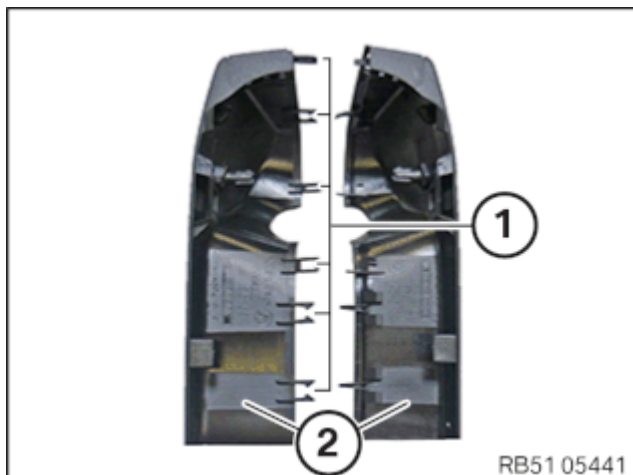


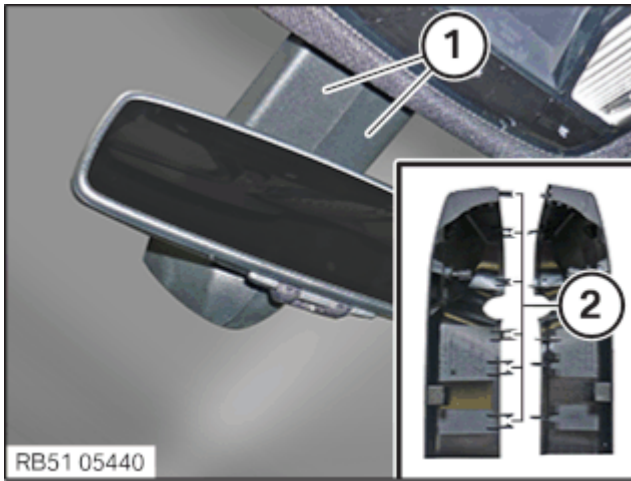
- Feed cover (1) in and lock.



- **Version B:**

- Check the latch mechanisms (1) on the two covers (2) for damage, renew the covers (2) if necessary.
- The covers (2) must not be damaged or missing.



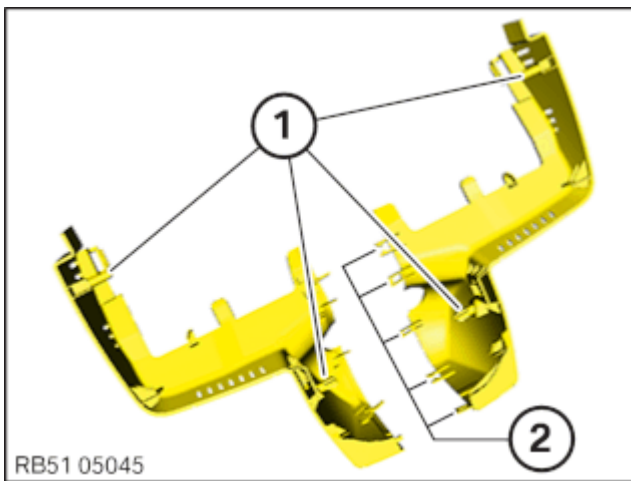


- Position the covers (1) correctly on the mirror and engage with the latch mechanisms (2).

#### • Version C:

#### Check

- Check the latch mechanisms (1) and (2) of the covers for damage.

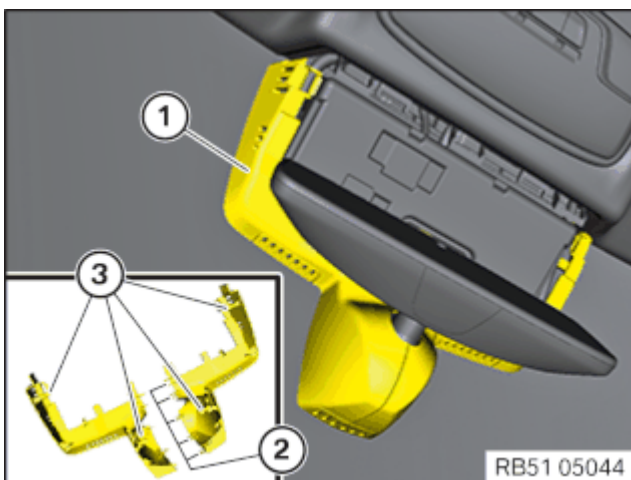


#### Result

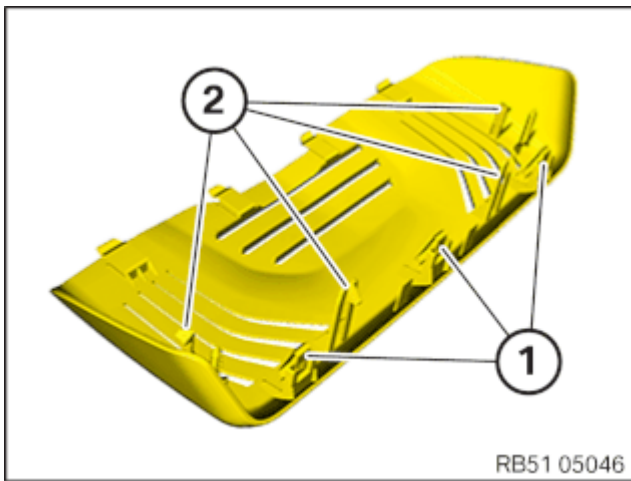
» The latch mechanism is damaged.

#### Measure

- Renew the cover.
- Guide in cover (1) on left and right and engage using latch mechanisms (2) and (3).



#### Check



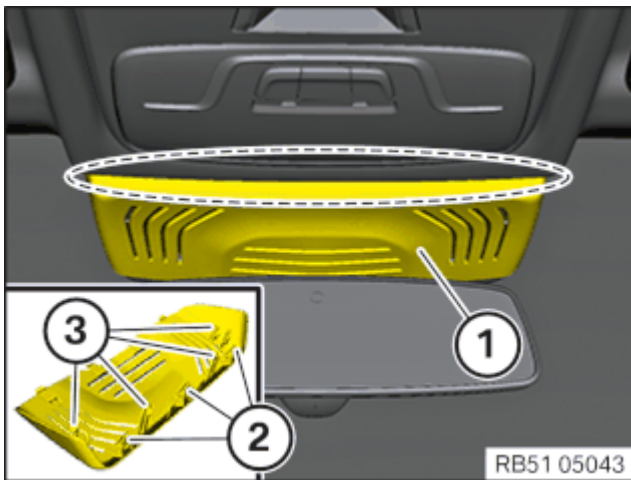
- Check clamps (1) for damage; renew if necessary.
- Check latch mechanisms (2) for damage.

### Result

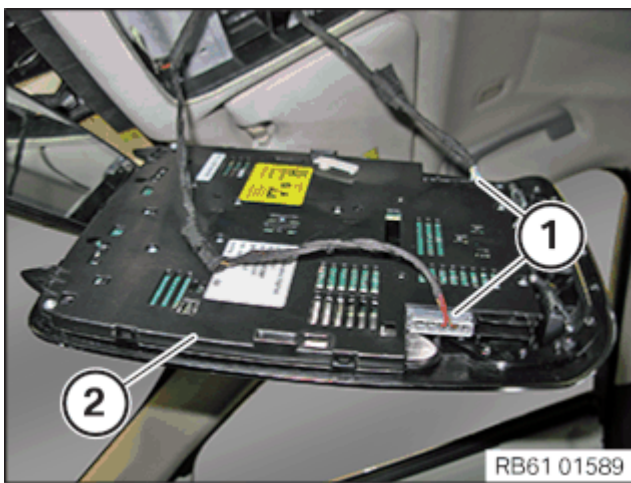
» The latch mechanism is damaged.

### Measure

- Renew the cover.
- Guide cover (1) into front guides and engage using retaining lugs (3) and clamps (2).

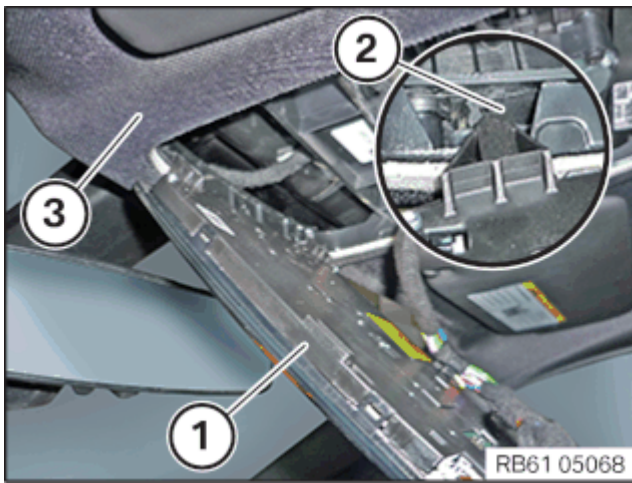


## 29 – Installing roof function centre (FZD)



- Connect connectors (1) and lock.
- Clip in the cable for the roof function centre (FZD) (2) in the cable clip.



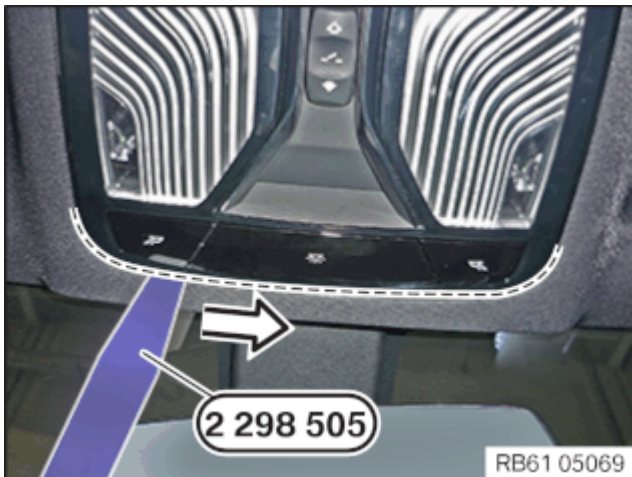


- Thread the roof function centre (FZD) (1) as shown at a steep angle into the two guides (2) on the headlining (3).

Make sure the headlining is not deformed during this operation.



- Clip the roof function centre (FZD) (1) upwards into the clamps (2).



- Pass through the FZD frame and headlining with the special tool **2 298 505** and adjust the headlining correctly.





- Tighten the screws (1).

### Roof function centre

Tightening torque	1,2 Nm
-------------------	--------



- Clip in the cover (1).

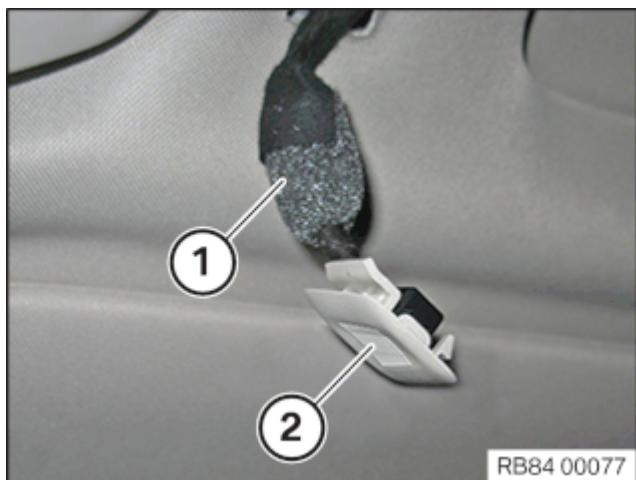
## 30 – Install both microphones

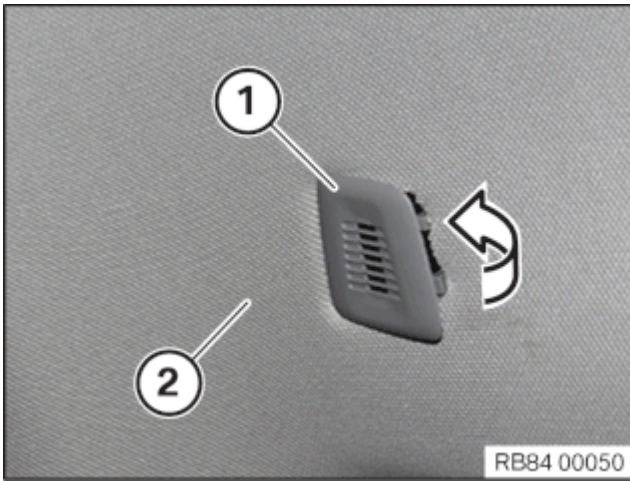


Description is for left component only. Procedure on the right side is identical.

### ► Installing the hands-free microphone

- Connect the connector to the hands-free microphone (2).
- Close the insulation (1).



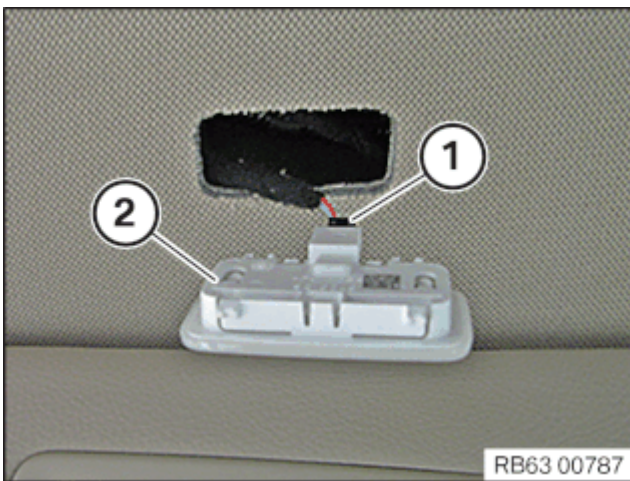


- Position hands-free microphone (1) in headlining (2) in the direction of the arrow.

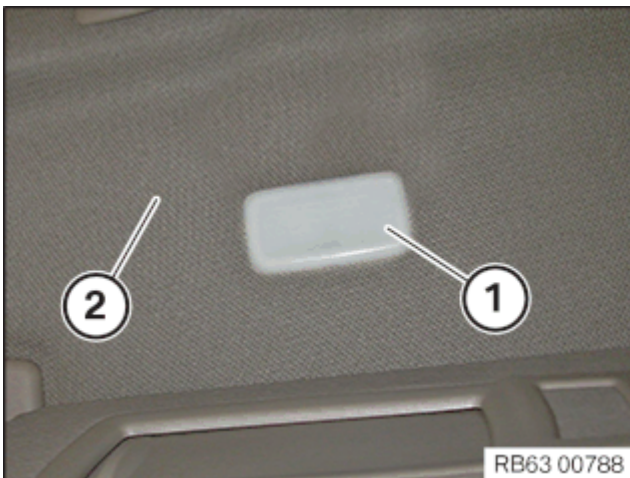
### 31 – Installing front vanity mirror light



Description is for left component only. Procedure on the right side is identical.



- Connect the connector (1) to the front vanity mirror light (2).



- Position the front vanity mirror light (1) in the headlining (2).

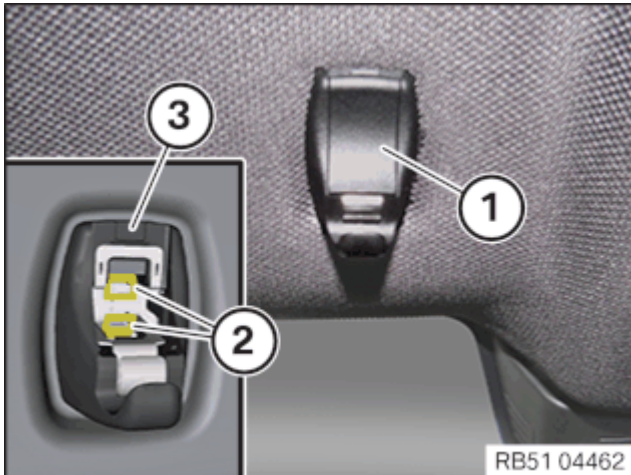
### 32 – Install both counter supports for the sun visors



Description is for left component only. Procedure on the right side is identical.

### ► Install the counter support for the sun visor

- Insert the counter support (3) into the headlining.
- Make sure the clamps (2) are engaged correctly.
- Use cover (1).



### 33 – Install both sun visors



Description is for left component only. Procedure on the right side is identical.

### ► Install the sun visor

- Connect the sun visor (2) with the corresponding connector.
- Guide the sun visor (2) into the headlining.
- Use cover (1).
- Attach the sun visor (2) on the counter support.

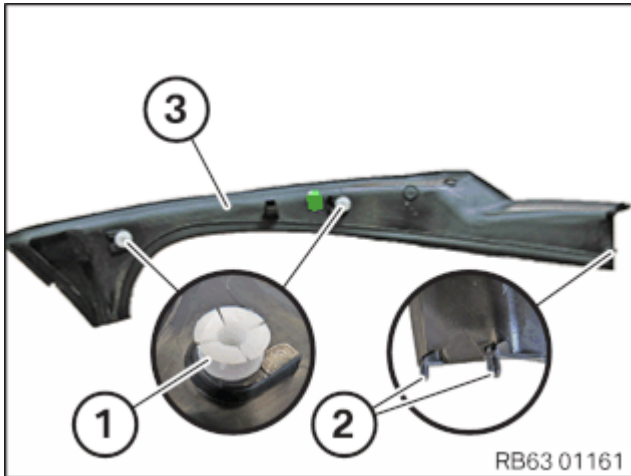


### 34 – Installing the trim panel for the rear left and right water channel





Description is for left component only. Procedure on the right side is identical.



- Check the clips (1) and guides (2) on the trim panel for the water channel (3) for damage.



- Clip in the trim panel for the water channel (1).

## Additional Information

### Overview of Tightening Torques

#### End fitting to seat mechanism

Used in step [24](#)

Flat-head  
screw M10

Renew screw.

Tightening torque

42 Nm

#### A-pillar trim panel to body

Used in step [27](#)

Sheet metal screw  
4,8x38

Tightening torque

2,6 Nm

#### Roof function centre

Used in step [29](#)

Tightening torque

1,2 Nm

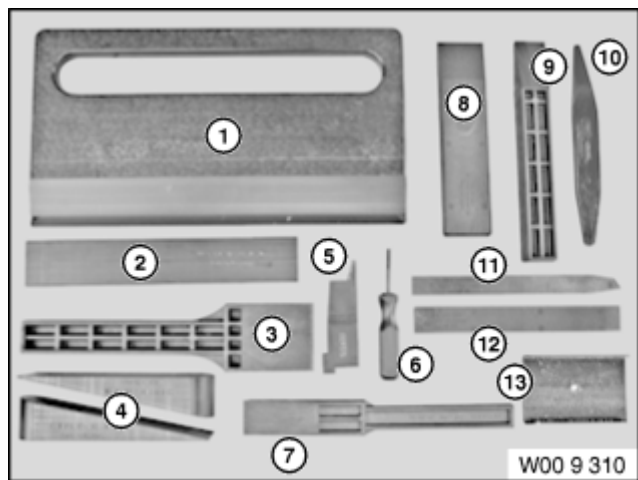
## Overview of Special Tools

### 0 496 569 (00 9 325) Wedge



Common	Used in step	1	6
Usage	(Panel wedge) From 11/2008 this special tool replaces panel wedge 00 9 317 (different material)		
Included in the tool or work	0 490 527		
Storage location	Individual		
Replaced by			
In connection with			
SI-Number	41 01 09 (507)		

### 0 493 752 (00 9 329) Case

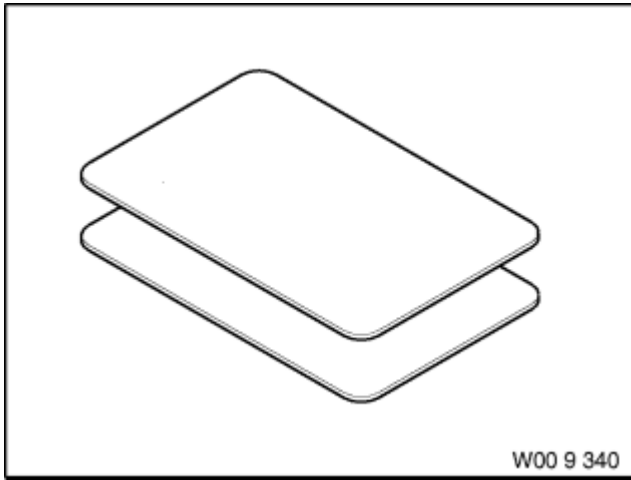


Common	Used in step	3	10
Usage	(Case) with insert not incl. panel wedges		
Included in the tool or work	0 490 527		
Storage location	Individual		
Replaced by			
In connection with			
SI-Number	01 07 09 (530)		

### 0 493 687 (00 9 340) Removal aid

Common	Used in step	7
Usage	(Removal aid (2 x)) For levering out switch block on driver's door.	
Included in the tool or work		
Storage location	C2	
Replaced by		
In connection		





with

SI-Number 01 15 99 (483)

**Consisting of**

Pos	BMW Order number	Replaced by	Designation	In Connection with
1	<a href="#">0 496</a> <a href="#">289 (00</a> <a href="#">9 341)</a>		<b>Removal aid</b> Only available as a set (2 tools) under 00 9 340 (= 83 30 0 493 687).	

**2 357 248 Removal and installation kit****Common**

Used in step 15

Usage

Removal system for removing glued windshields, side and rear windows without causing damage. The windows are cut out using an ultra-strong cord made from braided polyethylene fibres.

Included in the tool or work

Storage location

Replaced by

In connection with

SI-Number 05 06 13 (934)

**2 184 377 Siphon****Common**

Used in step 15

Usage

Siphon for the removal, installation and positioning of vehicle windows.

Included in the tool or work

Storage location

Replaced by

In connection with

SI-Number 08 01 10 (635)

**0 410 807 Accessories****Common**Used in step [15](#) [19](#)

## Usage

Pinchweld scraper set for removing seal residues such as window glass adhesive or seals in the engine compartment.

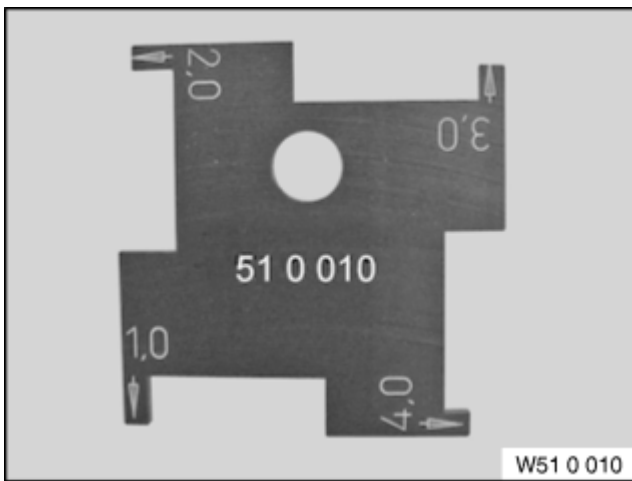
## Included in the tool or work

## Storage location

## Replaced by

## In connection with

SI-Number 08 02 05 (206)

**0 495 259 (51 0 010) Gauge****Common**Used in step [20](#)

## Usage

(test gauge for installing windscreen and rear window) (replaces special tool 51 3 210 from 06/2005)

## Included in the tool or work

## Storage location

B2

## Replaced by

## In connection with

SI-Number 01 10 05 (189)

**0 496 076 (00 9 470) Gauge****Common**Used in step [20](#)

## Usage

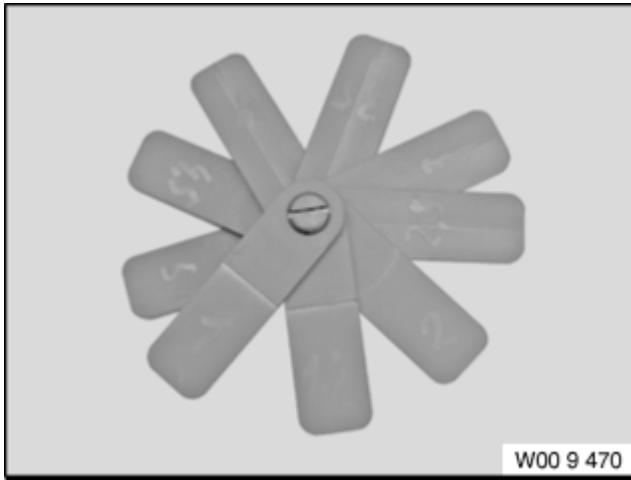
(Gap gauge) From 1 to 5 mm (1; 1.5; 2; 2.5 ...). For checking body gap dimensions.

## Included in the tool or work

0 496 091

## Storage location

A24

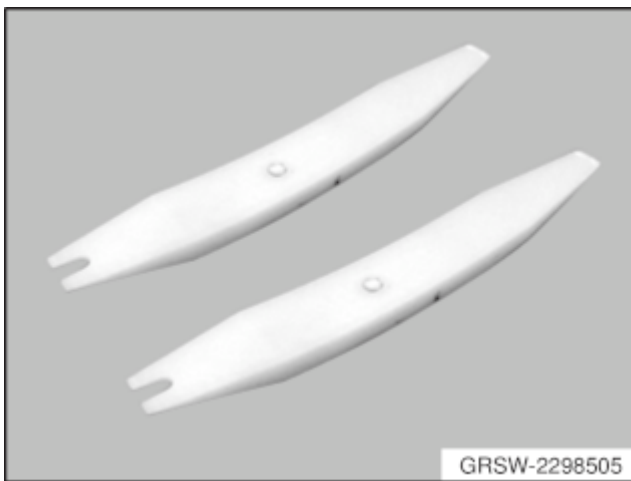


location

Replaced by

In connection  
with

SI-Number 01 03 07 (337)

**2 298 505 Wedge****Common**Used in step [29](#)

Usage Set (delivery of 2 pieces)

Included in  
the tool or  
workStorage  
location C34

Replaced by

In connection  
with

SI-Number 01 03 12 (792)

**Overview Technical Data****Adhesive bead**Used in step [20](#)

b = Width

7 mm ... 9 mm

h = Height

11 mm ... 13 mm

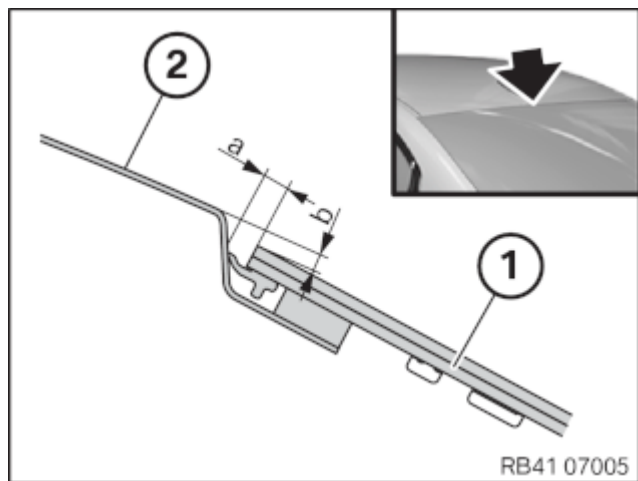
**Gap dimension rear window to roof outer skin**Used in step [20](#)*1 rear window; 2 roof outer skin*

a

3,2 ( 1,9 - 4,5) mm

b

2,8 ( 1,5 - 4,1) mm

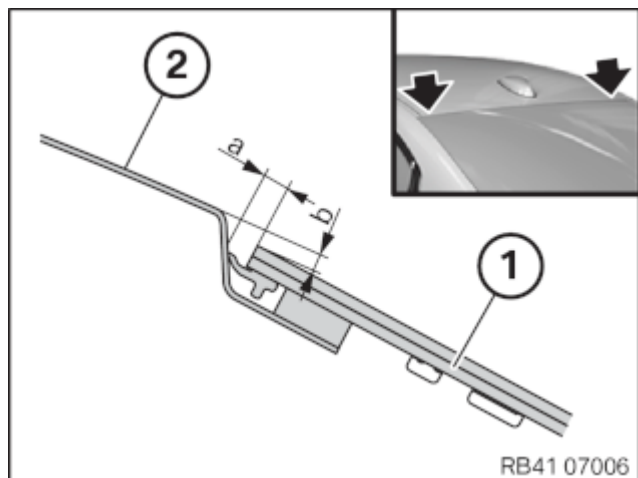


**Gap dimension rear window to roof outer skin**

Used in step [20](#)

1 rear window; 2 roof outer skin

a	3,2 ( 1,9 - 4,5) mm
b	2,6 ( 1,3 - 3,9) mm



**Links**

**General repair instructions**

**Used in step**

- [72 00 ... Safety regulations for handling components with gas generators](#) 3
- [72 00 ... Safety regulations for handling components with gas generators](#) 3
- [51 31 ... General procedure for the disassembly and installation of bonded window glass](#)

**Repair instructions**

**Used in step**

- [51 31 ... Removing windows with a "Spider"](#)

For informational purposes only. The information on this website is provided AS-IS with no warranties, express or implied, and is not guaranteed to be error-free, up-to-date or complete. NewTIS and BMW assume no liability for any loss or damage arising from the use or reliance on the information and content on this website. The content on this website is subject to change without notice.