



[BMW G42 M240i xDrive Coupe](#) / [Electrical Components](#) / [Connectors](#) / [Components](#) / [Components with S](#) / [S94 Switch, glove box light](#) /

Glove box light switch

Using this switch, the glove box light is switched on and off whenever the glove box cover is opened and closed. The switch is installed to one side of the glove box.



Note!

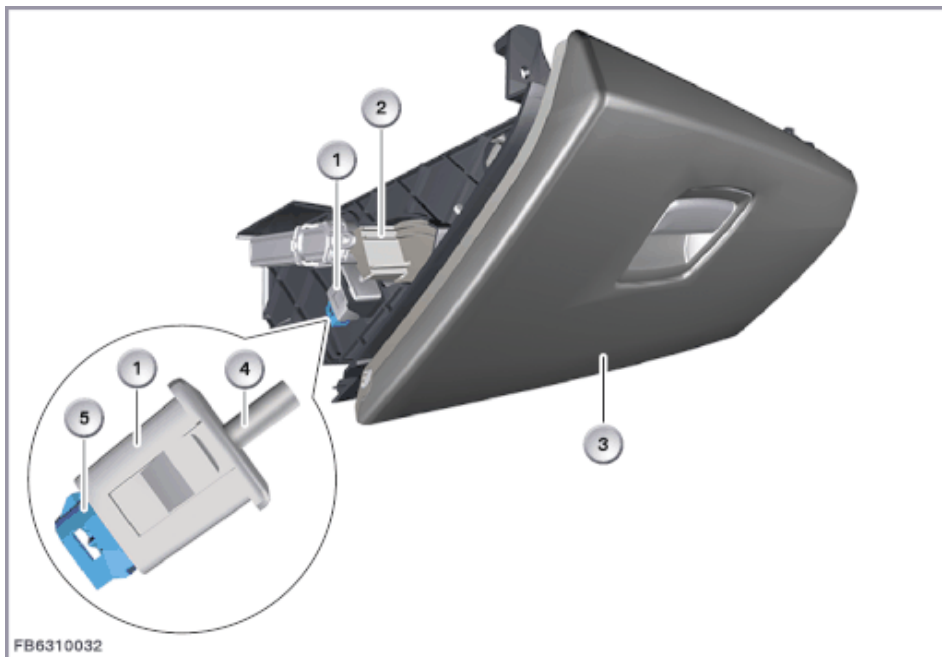
The installation location of the glove box light switch is dependent on the series. The correct installation location can be called up via the hotspot on the wiring diagram!

Functional description

The glove box light can be activated from terminal 30B on.

Whenever the glove box cover is opened, the change in status causes the switch to turn on the light.

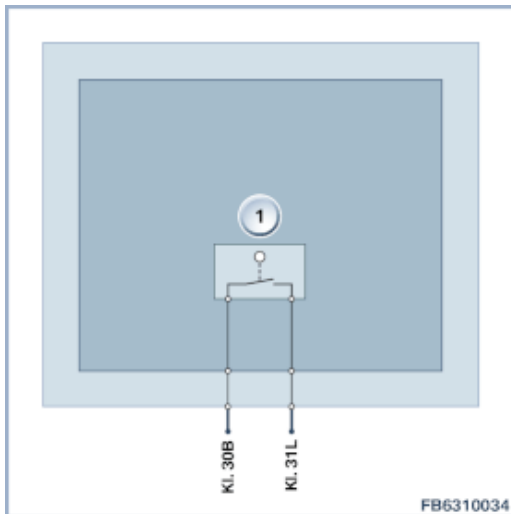
The following graphic shows the glove box light switch using the example of F01.



The switch is activated mechanically. A stop element presses against the switch pin when the glove box cover is closed. This interrupts the circuit. The stop element is connected to the glove box cover.

Structure and inner electrical connection

The switch for the glove box light is connected to the vehicle electrical system by means of a two-pin plug connection.



Item	Explanation
1	Switch for the glove box light

Pin assignments

Pin	Explanation
Terminal 30B	Terminal 30B, base operation
Terminal 31L	Terminal 31L, load earth

Nominal values

Observe the following setpoint values for the switch for the glove box light:

Variable	Value
Supply voltage	9 to 16 V
Temperature range	-40 to 80 deg C

Diagnosis instructions

Function check of the component

A function check of the switch for the glove box light cannot be run using the diagnosis system.

For informational purposes only. The information on this website is provided AS-IS with no warranties, express or implied, and is not guaranteed to be error-free, up-to-date or complete. NewTIS and BMW assume no liability for any loss or damage arising from the use or reliance on the information and content on this website. The content on this website is subject to change without notice.