

[Raising vehicle with floor jack »](#)

Preliminary work

Carrying out work preparation



RISK OF DAMAGE

Component damage while lifting the vehicle with a floor jack.

Components can become damaged when lifting a vehicle with the floor jack.

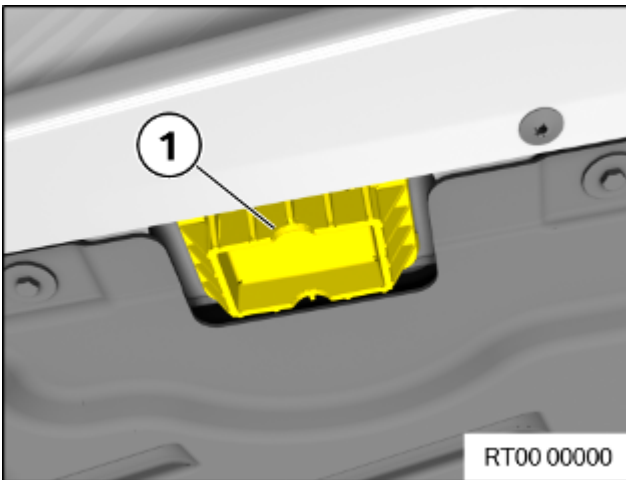
- Only use BMW distributed/approved floor jacks, whose mounting plates are furnished with a rubber component.
 - Perform regular maintenance on the floor jack and check for proper function before each use.
 - Check the mounting plate on the floor jack for damage prior to each use, replace if necessary.
 - Observe the instructions of the repair instructions when positioning the floor jack.
- Get the floor jack ready.



- Use chocks (1) to secure wheels that are not raised.

Main Works

Raising the vehicle with the side floor jack

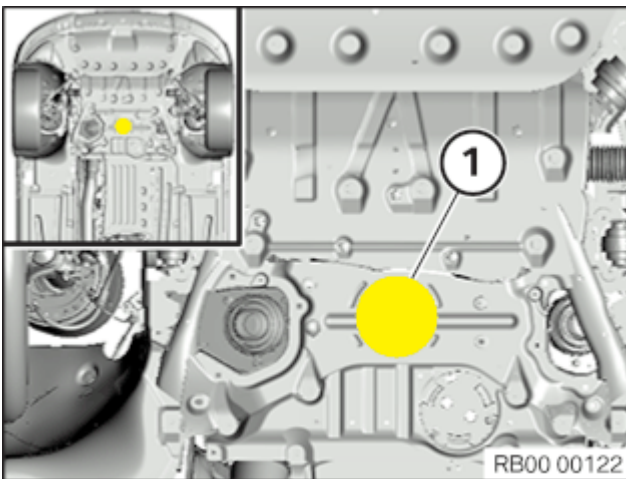


i TECHNICAL INFORMATION

Vehicles can be lifted at the jacking points with floor jacks and vehicle lifts.

- Check the jacking points (1) for damage and renew, if necessary.
- Position the floor jack mounting plate under the jacking point (1). Make sure not to damage adjacent components.
- Raise vehicle.

Raising the vehicle with the front floor jack



i TECHNICAL INFORMATION

Vehicles can be lifted using floor jacks on the front subframe.

- Position the mounting plate of the floor jack under the front subframe in the marked area (1).
- Raise vehicle.

Raising the vehicle with the rear floor jack

i TECHNICAL INFORMATION

Vehicles can be lifted with floor jacks at the rear axle differential.

- Center the floor jack mounting plate under the rear axle differential (1).
- Raise vehicle.

